

4

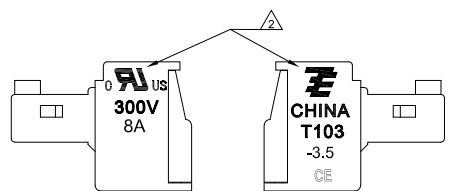
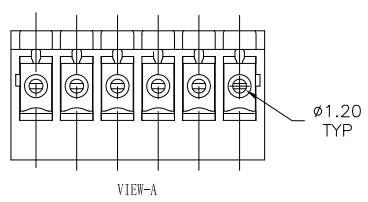
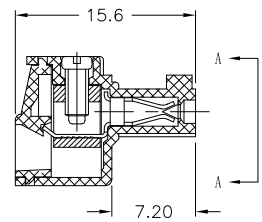
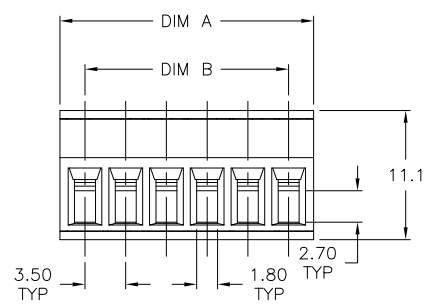
3

2

1

THIS DRAWING IS UNPUBLISHED. RELEASED FOR PUBLICATION  
 © COPYRIGHT - BY TYCO ELECTRONICS CORPORATION. ALL RIGHTS RESERVED.

LOC	DIST	REVISIONS			
P	LTR	DESCRIPTION	DATE	DWN	APVD
FT	0				
	A1	REVISED PER ECO-08-014051	09JUN08	HMR	CR



**MATERIALS:**  
 HOUSING: PA66, UL94V-0, GREEN  
 CAGE: BRASS, NICKEL PLATED  
 CLAMP: PHOS BRONZE, NICKEL PLATED  
 SCREW: STEEL, ZIINC PLATED

**ELECTRICAL:**  
 CURRENT RATING: 8A  
 VOLTAGE RATING: 300V  
 INSULATION RESISTANCE: 5000Mohm/DC1000V  
 WITHSTANDING VOLTAGE: AC2000V/1 MIN  
 WIRE RANGE: 16-28 AWG

**MECHANICAL:**  
 MAXIMUM SCREW TORQUE: 2.04 kgf.cm  
 OPERATING TEMP.: -40°C TO 105°C

- 1 PRELIMINARY PART NUMBER.
- 2 LOGOS TO BE SHOWN APPROXIMATELY AS SHOWN

28.00±0.30	32.30±0.30	9	1776952-9
24.50±0.30	28.80±0.20	8	1776952-8
14.00±0.25	18.30±0.20	5	1776952-5
10.50±0.25	14.80±0.20	4	1776952-4
7.00±0.15	11.30±0.20	3	1776952-3
3.50±0.10	7.80±0.20	2	1776952-2
DIM B	DIM A	NO OF POS	PART NUMBER

THIS DRAWING IS A CONTROLLED DOCUMENT.

DIMENSIONS: mm	TOLERANCES UNLESS OTHERWISE SPECIFIED: 0 PLC ± - 1 PLC ± 0.2 2 PLC ± 0.10 3 PLC ± - 4 PLC ± - ANGLES ± 1°	DWN S SCHLEGEL 30MAR2007	Tyco Electronics Corporation Harrisburg, PA 17105-3608	
MATERIAL	FINISH	CHK C RICHARD 3/30/07	NAME C RICHARD	RESTRICTED TO
		APVD C RICHARD 3/30/07	PRODUCT SPEC	
		APPLICATION SPEC	SIZE A3	CAGE CODE 00779
		WEIGHT	DRAWING NO C=1776952	
		CUSTOMER DRAWING	SCALE NTS	SHEET 1 of 1
			REV A1	