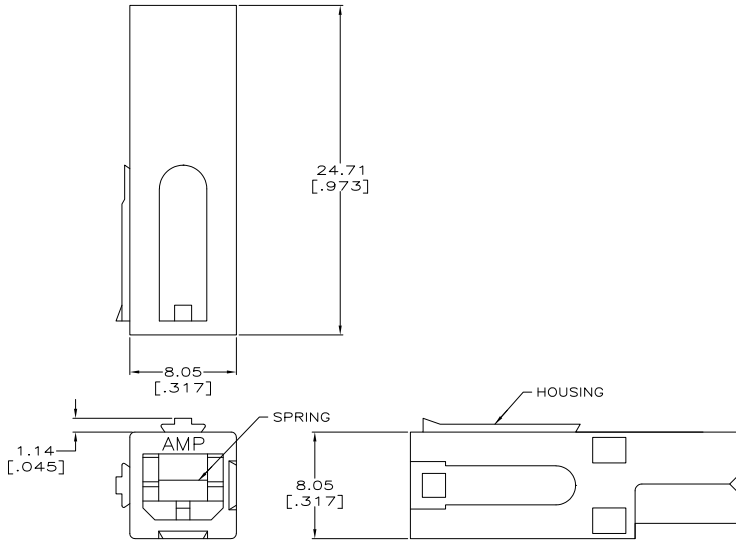


THIS DRAWING IS UNPUBLISHED. RELEASED FOR PUBLICATION. ALL RIGHTS RESERVED.

LOC	QTY	REVISIONS			
FT	60	REV	DESCRIPTION	DATE	BY
		L2	REVISED PER ECO-11-005027	12MAR11	RK HMR



- ⚠ MATERIAL: HOUSING - SEE TABLE.
SPRING - STAINLESS STEEL.
- ⚠ DIMENSIONS ARE MAXIMUM.
- ⚠ SEE RESTRICTED CUSTOMER DRAWING 1-53894-1 [OBSOLETE]
- ⚠ SEE RESTRICTED CUSTOMER DRAWING 1-53894-2 [OBSOLETE]
- ⚠ SEE RESTRICTED CUSTOMER DRAWING 1-53894-3 [OBSOLETE]
- ⚠ SEE RESTRICTED CUSTOMER DRAWING 1-53894-4.
- ⚠ OBSOLETE PARTS: OBSOLETE CIS STREAMLINING PER D.RENAUD/D.SINISI

			⚠
			⚠
			⚠
			⚠
			⚠
SUPERSEDED BY -2	POLYCARBONATE	BLACK	53894-9
SUPERSEDED BY -4	UL 94 V-0	RED	53894-8
	POLYESTER	NATURAL	53894-7
		BLUE	53894-6
		YELLOW	53894-5
	POLYCARBONATE	RED	53894-4
		GREEN	53894-3
		BLACK	53894-2
		WHITE	53894-1

THIS DRAWING IS A CONTROLLED DOCUMENT FOR AMP INCORPORATED. IT IS SUBJECT TO CHANGE AND THE CONTROLLING ENGINEERING ORGANIZATION SHOULD BE CONTACTED FOR THE LATEST REVISION.

THIS DRAWING IS A CONTROLLED DOCUMENT.		DN GALLUCCI/UTA 5-20-04	TE Connectivity	
		DN N. JONES 5-24-04		
		DN D. KEMPKA 5-25-04		
DIMENSIONS: mm(INCHES)		TOLERANCES UNLESS OTHERWISE SPECIFIED:	PRODUCT SPEC: 108-11026	
0 P/C ± .01		1 P/C ± .005	APPLICATION SPEC: 114-6032	
2 P/C ± .002		3 P/C ± .001	WEIGHT: -	
4 P/C ± .0005		ANGLES: ± .5	SIZE: A2	
MATERIAL: ⚠		FINISH: ⚠	CAGE CODE: 00779	
		DRAWING NO: 53894		RESTRICTED TO: -
		CUSTOMER DRAWING		SCALE: 5:1
				SHEET: 1 of 1
				REV: L2