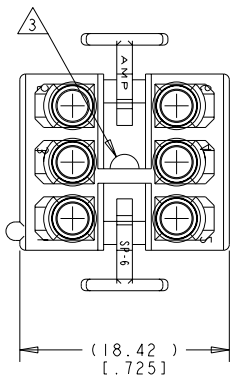
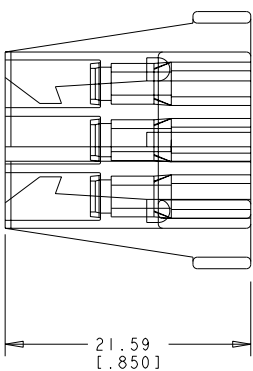
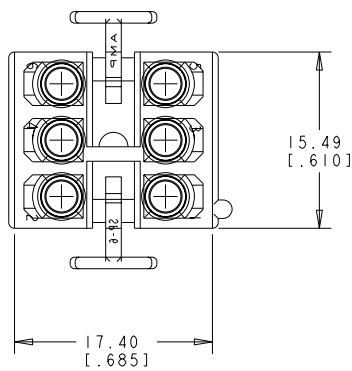


THIS DRAWING IS UNPUBLISHED. RELEASED FOR PUBLICATION  
 © COPYRIGHT 20 BY TYCO ELECTRONICS CORPORATION, ALL RIGHTS RESERVED.

LOC DIST  
 CM 00

REVISIONS					
P	LTR	DESCRIPTION	DATE	DWN	APVD
W		REVISED PER OG3B-0827-03	04NOV2003	KW	DC
Y		REVISED PER OG3B-0874-03	04NOV2003	KW	DC
YI		REVISED PER ECO-05-001056	14APR05	KW	DC

1. TO BE USED WITH APPROPRIATE COMMERCIAL MATE-N-LOK™ SOCKETS.
  2. TO BE USED WITH CAP HOUSING 480271.
- △ 3 OPTIONAL CONSTRUCTION.



NYLON, BLACK	1-480270-9
NYLON, NATURAL	1-480270-0
MATERIAL AND COLOR	PART NUMBER

**METRIC**

THIS DRAWING IS A CONTROLLED DOCUMENT FOR TYCO ELECTRONICS CORPORATION  
 IT IS SUBJECT TO CHANGE AND THE CONTROLLING AUTHORITY ORGANIZATION  
 SHOULD BE CONTACTED FOR THE LATEST REVISION.

DIMENSIONS: mm [INCHES]	TOLERANCES UNLESS OTHERWISE SPECIFIED:	DWN K. WHITAKER 04NOV2003	Tyco Electronics Harrisburg, PA 17105-3608	
	0 PLC ± 1 PLC ± 2 PLC ±0.13 (1.005) 3 PLC ± 4 PLC ± ANGLES ±0° 30' FINISH -	CHK D. COLEY 04NOV2003	NAME	
		APVD D. COLEY 04NOV2003	6 CIRCUIT MATE-N-LOK™ PLUG	
MATERIAL SEE TABLE		PRODUCT SPEC	SIZE	CAGE CODE
		APPLICATION SPEC	A3	00779
		WEIGHT	DRAWING NO	C=480270
		CUSTOMER DRAWING	RESTRICTED TO	
			SCALE	3:1
			SHEET	1 OF 1
			REV	YI