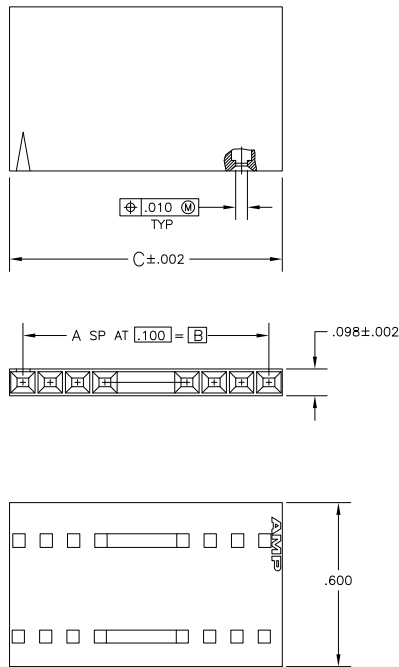


THIS DRAWING IS UNPUBLISHED. RELEASED FOR PUBLICATION. ALL RIGHTS RESERVED.

REV	DATE	DESCRIPTION	BY	APPD
AD	00			
K1		REVISED PER ECO-11-004587	11MAR11	RK HMR



2.498	2.400	24	25	2-103688-4
2.398	2.300	23	24	2-103688-3
2.298	2.200	22	23	2-103688-2
2.198	2.100	21	22	2-103688-1
2.098	2.000	20	21	2-103688-0
1.998	1.900	19	20	1-103688-9
1.898	1.800	18	19	1-103688-8
1.798	1.700	17	18	1-103688-7
1.698	1.600	16	17	1-103688-6
1.598	1.500	15	16	1-103688-5
1.498	1.400	14	15	1-103688-4
1.398	1.300	13	14	1-103688-3
1.298	1.200	12	13	1-103688-2
1.198	1.100	11	12	1-103688-1
1.098	1.000	10	11	1-103688-0
.998	.900	9	10	103688-9
.898	.800	8	9	103688-8
.798	.700	7	8	103688-7
.698	.600	6	7	103688-6
.598	.500	5	6	103688-5
.498	.400	4	5	103688-4
.398	.300	3	4	103688-3
.298	.200	2	3	103688-2
.198	.100	1	2	103688-1
C	B	A	NO OF POSN	PART NUMBER

THIS DRAWING IS A CONTROLLED DOCUMENT.		DRN E. BRANDBERG	25FERN4	TE Connectivity	
DIMENSIONS: mm [INCHES]		DRN N. GESFORD	25FERN4	RECEPTACLE HOUSING, AMPMODU MTE, SINGLE ROW, .100	
TOLERANCES UNLESS OTHERWISE SPECIFIED:		APRO N. GESFORD	25FERN4	PRODUCT SPEC 108-250034	
D HOLE ± .005		APPLICATION SPEC 114-25026		SIZE A2	CAGE CODE 00779
MATERIAL PLATE FINISH		WEIGHT		DRAWING NO 103688	RESTRICTED TO K1
CUSTOMER DRAWING		SCALE 4:1		SHEET 1 of 1	REV K1