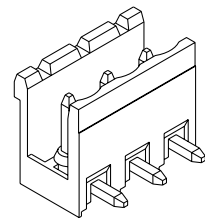
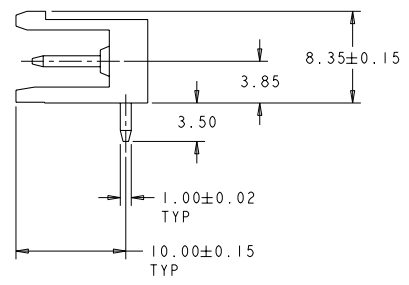
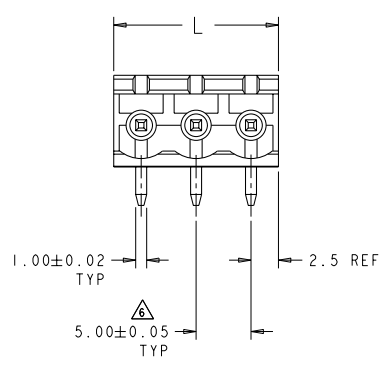
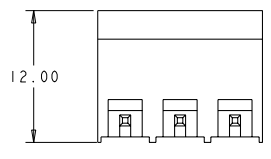


LOC		DIST		REVISIONS			
P	LYA	DESCRIPTION	DATE	BY	CHK	APPR	
A		RELEASED	25OCT2007	SM	CR		

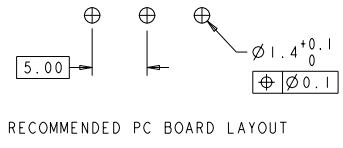


796698-3 AS SHOWN



- △ MATERIALS AND FINISH
HOUSING: PA 6-6, UL 94-V0, COLOR: BLUE.
TERMINAL: PHOSPHOR BRONZE, TIN PLATED.
- 2. SUITABLE FOR 1,6-2,4mm PC BOARD THICKNESS.
- 3. END-TO-END STACKABLE WITHOUT LOSS OF CENTERLINE SPACING.
- 4. RECOGNIZED UNDER THE COMPONENT PROGRAM OF UNDERWRITERS LABORATORIES INC. FILE N° E60677.
- 5. IMQ CERTIFICATE WITH SURVEILLANCE IN CONFORMITY WITH IEC 998-1/998-2-1.
- △ NOT CUMULATIVE TOLERANCE.

125.0	25	2-796698-5
120.0	24	2-796698-4
115.0	23	2-796698-3
110.0	22	2-796698-2
105.0	21	2-796698-1
100.0	20	2-796698-0
95.0	19	1-796698-9
90.0	18	1-796698-8
85.0	17	1-796698-7
80.0	16	1-796698-6
75.0	15	1-796698-5
70.0	14	1-796698-4
65.0	13	1-796698-3
60.0	12	1-796698-2
55.0	11	1-796698-1
50.0	10	1-796698-0
45.0	9	796698-9
40.0	8	796698-8
35.0	7	796698-7
30.0	6	796698-6
25.0	5	796698-5
20.0	4	796698-4
15.0	3	796698-3
10.0	2	796698-2
L	NO OF POSN	PART NUMBER



DIMENSIONS: mm TOLERANCES UNLESS OTHERWISE SPECIFIED: 0 PLC ±0.3 1 PLC ±0.25 2 PLC ±0.200 3 PLC ±0.000 4 PLC ±0.000 ANGLES ±0.000		DWG 25OCT2007 S. WELDON C. RICHARD 25OCT2007 25OCT2007 25OCT2007 PRODUCT SPEC 108-20166 APPLICATION SPEC 114-20079 WEIGHT CUSTOMER DRAWING	Tyco Electronics Harrisburg, PA 17105-3608 BUCHANAN NAME TERMINAL BLOCK HEADER ASSEMBLY 90 DEGREE, OPEN ENDS, STACKING 5.00mm PITCH SIZE CASE CODE DRAWING NO A2 00779 796698 RESTRICTED TO
--	--	---	---