

2-12 poles, Spacing 5.0 mm
insert required no. of poles **x**
How to order see page 5

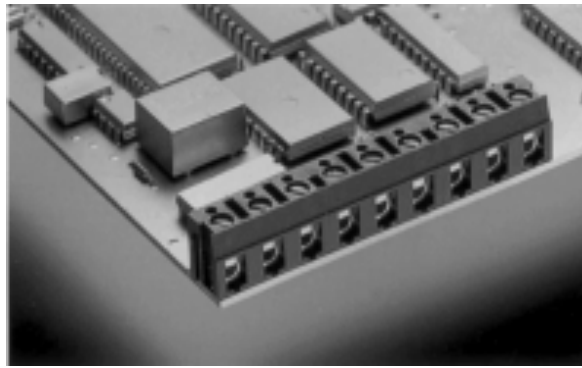
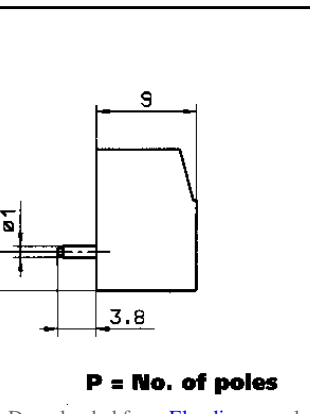


300V
25 A
AWG 22-14
250 V
24 A (T60)
2.5 mm²
2.0 kV
0.5 Nm/M3

2.5 mm²
1.5 mm²
1.5 mm²

5.0 mm
1.3 mm
6.0 mm

PA
UL94 V-0
-30°C/+105°C
CuZn
Stainless Steel



2-12 poles, Spacing 7.5 mm
insert required no. of poles **x**
How to order see page 5



Ratings:

Rated Voltage	300V	500 V
Rated Current	20 A	24 A (T60)
Wire Size	AWG 22-14	2.5 mm ²
Test Voltage		3.0 kV
Rated Torque/ScrewSize		0.5 Nm/M3

Max. Rated Cross Section

Single Wire (solid)	2.5 mm ²
Stranded Wire (flexible)	1.5 mm ²
Stranded wire with Ferrules	1.5 mm ²

Dimensions

Spacing	7.5 mm
PCB Hole Diameter	1.3 mm
Stripped Length	7.0 mm

Materials

Insulating Material	PA
Flammability Class	UL94 V-0
Temperature Range	-30°C/+105°C
Terminal Block	CuZn
Wire Guard	Stainless Steel

Color

Blue

