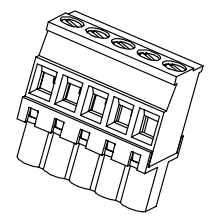
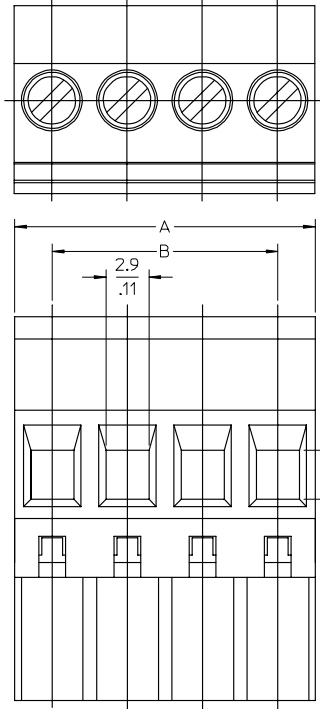
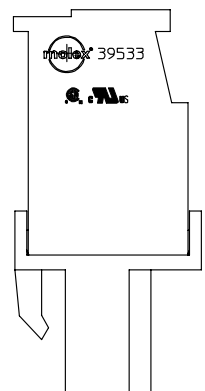
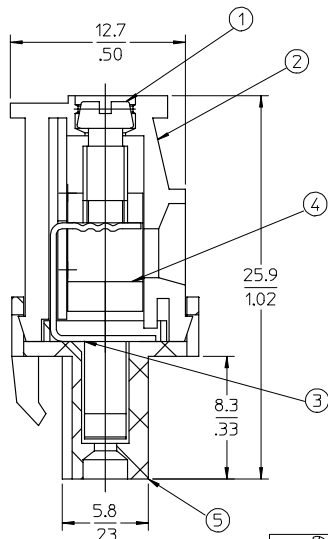


10 9 8 7 6 5 4 3 2 1

F  
E  
D  
C  
B  
A



**SPECIFICATIONS:**

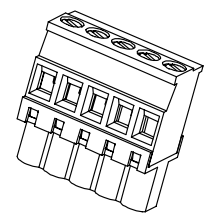
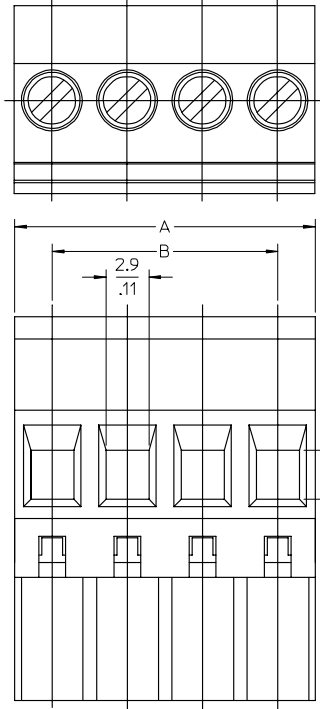
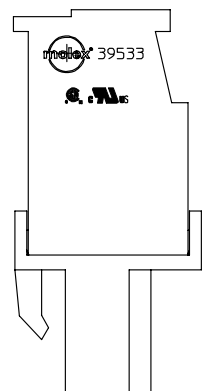
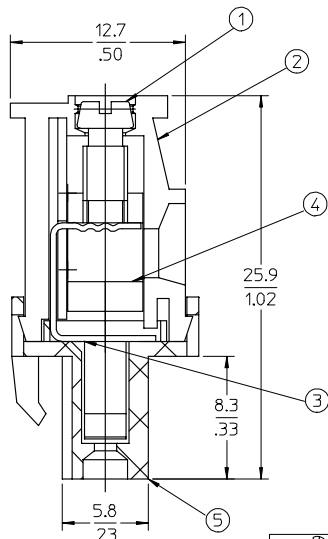
1. Material:
  - (1). Screw: Steel
  - (2). Cover: PA66
  - (3). Terminal: Phosphor Bronze
  - (4). Cage: Brass
  - (5). Body: PA66
2. Wire range: 12 - 26 AWG
3. Electrical rating: 300V, 15A.
4. Wire strip length: 5.0mm.
5. Operating temperature: -40C to +105C.
6. Max torque: 5 In Lbs.
7. Insulation resistance: DC 500V, 500M.
8. Dielectric withstand: AC 2500V for 1 minute.
9. Breakdown voltage: 4000V.
10. Contact resistance: <10 mW.
11. A = (N x P)
12. B = (N - 1) x P
13. P (PITCH) = 5.08mm (.200").
14. N = Number of positions available 2 through 24.

ENTER DESCRIPTION EC NO: NEO2006-0310 DRAWN: LROTHAUS 2006/01/09 CHECK: C. YORK 2006/01/09 APPR: J.PAMILLIK 2006/01/10 REV A	QUALITY SYMBOLS ▽=0 ▽=0	GENERAL TOLERANCES (UNLESS SPECIFIED) <table border="1"> <thead> <tr> <th></th> <th>mm</th> <th>INCH</th> </tr> </thead> <tbody> <tr> <td>4 PLACES</td> <td>± ---</td> <td>±.0015</td> </tr> <tr> <td>3 PLACES</td> <td>± 0.038</td> <td>±.005</td> </tr> <tr> <td>2 PLACES</td> <td>± 0.13</td> <td>±.01</td> </tr> <tr> <td>1 PLACE</td> <td>± 0.3</td> <td>± ---</td> </tr> <tr> <td colspan="3">ANGULAR ± 2 °</td> </tr> </tbody> </table>		mm	INCH	4 PLACES	± ---	±.0015	3 PLACES	± 0.038	±.005	2 PLACES	± 0.13	±.01	1 PLACE	± 0.3	± ---	ANGULAR ± 2 °			DIMENSION STYLE MM/IN	SCALE 4:1	DESIGN UNITS INCH	THIRD ANGLE PROJECTION
		mm	INCH																					
4 PLACES	± ---	±.0015																						
3 PLACES	± 0.038	±.005																						
2 PLACES	± 0.13	±.01																						
1 PLACE	± 0.3	± ---																						
ANGULAR ± 2 °																								
DRAFT WHERE APPLICABLE MUST REMAIN WITHIN DIMENSIONS		DRAWN BY LROTHAUS CHECKED BY C. YORK APPROVED BY	DATE 12/6/05 DATE 01/06/06 DATE	TITLE 5.08MM, EURO PLUG, VERTICAL, FRONT WIRE ENTRY	MOLEX INCORPORATED	SHEET NO. 1 OF 1																		
		MATERIAL NO. SEE CHART	DOCUMENT NO. SD-39533-002	THIS DRAWING CONTAINS INFORMATION THAT IS PROPRIETARY TO MOLEX INCORPORATED AND SHOULD NOT BE USED WITHOUT WRITTEN PERMISSION																				

9 8 7 6 5 4 3 2 1

10 9 8 7 6 5 4 3 2 1

F  
E  
D  
C  
B  
A



**SPECIFICATIONS:**

1. Material:
  - (1). Screw: Steel
  - (2). Cover: PA66
  - (3). Terminal: Phosphor Bronze
  - (4). Cage: Brass
  - (5). Body: PA66
2. Wire range: 12 - 26 AWG
3. Electrical rating: 300V, 15A.
4. Wire strip length: 5.0mm.
5. Operating temperature: -40C to +105C.
6. Max torque: 5 In Lbs.
7. Insulation resistance: DC 500V, 500M.
8. Dielectric withstand: AC 2500V for 1 minute.
9. Breakdown voltage: 4000V.
10. Contact resistance: <10 mW.
11. A = (N x P)
12. B = (N - 1) x P
13. P (PITCH) = 5.08mm (.200").
14. N = Number of positions available 2 through 24.

ENTER DESCRIPTION EC NO: NEO2006-0310 DRAWN: LROTHAUS 2006/01/09 CHECK: C. YORK 2006/01/09 APPR: J.PAMILLIK 2006/01/10 REV A	QUALITY SYMBOLS ▽=0 ▽=0	GENERAL TOLERANCES (UNLESS SPECIFIED)	DIMENSION STYLE MM/IN	SCALE 4:1	DESIGN UNITS INCH	THIRD ANGLE PROJECTION
	4 PLACES ± --- ±.0015 3 PLACES ± 0.038 ±.005 2 PLACES ± 0.13 ±.01 1 PLACE ± 0.3 ± --- ANGULAR ± 2 °	DRAWN BY: LROTHAUS CHECKED BY: C. YORK APPROVED BY:	DATE: 12/6/05 DATE: 01/06/06 DATE:	TITLE: 5.08MM, EURO PLUG, VERTICAL, FRONT WIRE ENTRY MOLEX INCORPORATED	MATERIAL NO. SEE CHART	DOCUMENT NO. SD-39533-002
DRAFT WHERE APPLICABLE MUST REMAIN WITHIN DIMENSIONS						
THIS DRAWING CONTAINS INFORMATION THAT IS PROPRIETARY TO MOLEX INCORPORATED AND SHOULD NOT BE USED WITHOUT WRITTEN PERMISSION						

9 8 7 6 5 4 3 2 1

10 9 8 7 6 5 4 3 2 1

Description	Circuit size	Material Numbers												Dimensional Information							
		Black						Green						Dim. A		Dim B					
		100% Tin			30 u" Gold			100% Tin			30 u" Gold			mm		inch					
		Printing Options			Printing Options			Printing Options			Printing Options										
	None	10AV	11AV	None	10AV	11AV	None	10AV	11AV	None	10AV	11AV	mm	inch	mm	inch					
5.08mm, Euro Plug, Vertical, Front Wire Entry	2	395332002	395332302	395332402	395332502	395332602	395332702	395332802	395332902	395333002	395333102	395333202	395333302	395333402	395333502	395333602	395333702	10.16	0.400	5.08	0.200
5.08mm, Euro Plug, Vertical, Front Wire Entry	3	395332003	395332303	395332403	395332503	395332603	395332703	395332803	395332903	395333003	395333103	395333203	395333303	395333403	395333503	395333603	395333703	15.24	0.600	10.16	0.400
5.08mm, Euro Plug, Vertical, Front Wire Entry	4	395332004	395332304	395332404	395332504	395332604	395332704	395332804	395332904	395333004	395333104	395333204	395333304	395333404	395333504	395333604	395333704	20.32	0.800	15.24	0.600
5.08mm, Euro Plug, Vertical, Front Wire Entry	5	395332005	395332305	395332405	395332505	395332605	395332705	395332805	395332905	395333005	395333105	395333205	395333305	395333405	395333505	395333605	395333705	25.40	1.000	20.32	0.800
5.08mm, Euro Plug, Vertical, Front Wire Entry	6	395332006	395332306	395332406	395332506	395332606	395332706	395332806	395332906	395333006	395333106	395333206	395333306	395333406	395333506	395333606	395333706	30.48	1.200	25.40	1.000
5.08mm, Euro Plug, Vertical, Front Wire Entry	7	395332007	395332307	395332407	395332507	395332607	395332707	395332807	395332907	395333007	395333107	395333207	395333307	395333407	395333507	395333607	395333707	35.56	1.400	30.48	1.200
5.08mm, Euro Plug, Vertical, Front Wire Entry	8	395332008	395332308	395332408	395332508	395332608	395332708	395332808	395332908	395333008	395333108	395333208	395333308	395333408	395333508	395333608	395333708	40.64	1.600	35.56	1.400
5.08mm, Euro Plug, Vertical, Front Wire Entry	9	395332009	395332309	395332409	395332509	395332609	395332709	395332809	395332909	395333009	395333109	395333209	395333309	395333409	395333509	395333609	395333709	45.72	1.800	40.64	1.600
5.08mm, Euro Plug, Vertical, Front Wire Entry	10	395332010	395332310	395332410	395332510	395332610	395332710	395332810	395332910	395333010	395333110	395333210	395333310	395333410	395333510	395333610	395333710	50.80	2.000	45.72	1.800
5.08mm, Euro Plug, Vertical, Front Wire Entry	11	395332011	395332311	395332411	395332511	395332611	395332711	395332811	395332911	395333011	395333111	395333211	395333311	395333411	395333511	395333611	395333711	55.88	2.200	50.80	2.000
5.08mm, Euro Plug, Vertical, Front Wire Entry	12	395332012	395332312	395332412	395332512	395332612	395332712	395332812	395332912	395333012	395333112	395333212	395333312	395333412	395333512	395333612	395333712	60.96	2.400	55.88	2.200
5.08mm, Euro Plug, Vertical, Front Wire Entry	13	395332013	395332313	395332413	395332513	395332613	395332713	395332813	395332913	395333013	395333113	395333213	395333313	395333413	395333513	395333613	395333713	66.04	2.600	60.96	2.400
5.08mm, Euro Plug, Vertical, Front Wire Entry	14	395332014	395332314	395332414	395332514	395332614	395332714	395332814	395332914	395333014	395333114	395333214	395333314	395333414	395333514	395333614	395333714	71.12	2.800	66.04	2.600
5.08mm, Euro Plug, Vertical, Front Wire Entry	15	395332015	395332315	395332415	395332515	395332615	395332715	395332815	395332915	395333015	395333115	395333215	395333315	395333415	395333515	395333615	395333715	76.20	3.000	71.12	2.800
5.08mm, Euro Plug, Vertical, Front Wire Entry	16	395332016	395332316	395332416	395332516	395332616	395332716	395332816	395332916	395333016	395333116	395333216	395333316	395333416	395333516	395333616	395333716	81.28	3.200	76.20	3.000
5.08mm, Euro Plug, Vertical, Front Wire Entry	17	395332017	395332317	395332417	395332517	395332617	395332717	395332817	395332917	395333017	395333117	395333217	395333317	395333417	395333517	395333617	395333717	86.36	3.400	81.28	3.200
5.08mm, Euro Plug, Vertical, Front Wire Entry	18	395332018	395332318	395332418	395332518	395332618	395332718	395332818	395332918	395333018	395333118	395333218	395333318	395333418	395333518	395333618	395333718	91.44	3.600	86.36	3.400
5.08mm, Euro Plug, Vertical, Front Wire Entry	19	395332019	395332319	395332419	395332519	395332619	395332719	395332819	395332919	395333019	395333119	395333219	395333319	395333419	395333519	395333619	395333719	96.52	3.800	91.44	3.600
5.08mm, Euro Plug, Vertical, Front Wire Entry	20	395332020	395332320	395332420	395332520	395332620	395332720	395332820	395332920	395333020	395333120	395333220	395333320	395333420	395333520	395333620	395333720	101.60	4.000	96.52	3.800
5.08mm, Euro Plug, Vertical, Front Wire Entry	21	395332021	395332321	395332421	395332521	395332621	395332721	395332821	395332921	395333021	395333121	395333221	395333321	395333421	395333521	395333621	395333721	106.68	4.200	101.60	4.000
5.08mm, Euro Plug, Vertical, Front Wire Entry	22	395332022	395332322	395332422	395332522	395332622	395332722	395332822	395332922	395333022	395333122	395333222	395333322	395333422	395333522	395333622	395333722	111.76	4.400	106.68	4.200
5.08mm, Euro Plug, Vertical, Front Wire Entry	23	395332023	395332323	395332423	395332523	395332623	395332723	395332823	395332923	395333023	395333123	395333223	395333323	395333423	395333523	395333623	395333723	116.84	4.600	111.76	4.400
5.08mm, Euro Plug, Vertical, Front Wire Entry	24	395332024	395332324	395332424	395332524	395332624	395332724	395332824	395332924	395333024	395333124	395333224	395333324	395333424	395333524	395333624	395333724	121.92	4.800	116.84	4.600

SEE SHEET 1 EC NO: NEO2006-0310 DRAWING: ROTHHAUS CHECKED: YORK APPR: J.PANILEK 2006/01/10	QUALITY SYMBOLS	GENERAL TOLERANCES (UNLESS SPECIFIED)		DIMENSION STYLE		SCALE	DESIGN UNITS	THIRD ANGLE PROJECTION	
	$\nabla=0$ $\sphericalangle=0$	mm INCH		MM/IN		4:1	INCH		
		4 PLACES ± --- ±.0015	3 PLACES ± 0.038 ±.005	DRAWN BY	DATE	TITLE			
		2 PLACES ± 0.13 ±.01	1 PLACE ± 0.3 ± ---	CHECKED BY	DATE	5.08MM, EURO PLUG, VERTICAL, FRONT WIRE ENTRY			
	ANGULAR ± 2 °		APPROVED BY	DATE	MOLEX INCORPORATED				
	DRAFT WHERE APPLICABLE MUST REMAIN WITHIN DIMENSIONS		MATERIAL NO.		DOCUMENT NO.		SHEET NO.		
			SEE CHART		SD-39533-002		2 OF 2		
	THIS DRAWING CONTAINS INFORMATION THAT IS PROPRIETARY TO MOLEX INCORPORATED AND SHOULD NOT BE USED WITHOUT WRITTEN PERMISSION								

9 8 7 6 5 4 3 2 1

10 9 8 7 6 5 4 3 2 1

Description	Circuit size	Material Numbers												Dimensional Information			
		Black						Green						Dim. A		Dim B	
		100% Tin			30 u" Gold			100% Tin			30 u" Gold			mm		inch	
		Printing Options			Printing Options			Printing Options			Printing Options						
	None	10AV	11AV	None	10AV	11AV	None	10AV	11AV	None	10AV	11AV	mm	inch	mm	inch	
5.08mm, Euro Plug, Vertical, Front Wire Entry	2	395332002	395332302	395332402	395332502	395332602	395332702	395332802	395332902	395333002	395337402	395337502	395337602	10.16	0.40	5.08	0.20
5.08mm, Euro Plug, Vertical, Front Wire Entry	3	395332003	395332303	395332403	395332503	395332603	395332703	395332803	395332903	395333003	395337403	395337503	395337603	15.24	0.60	10.16	0.40
5.08mm, Euro Plug, Vertical, Front Wire Entry	4	395332004	395332304	395332404	395332504	395332604	395332704	395332804	395332904	395333004	395337404	395337504	395337604	20.32	0.80	15.24	0.60
5.08mm, Euro Plug, Vertical, Front Wire Entry	5	395332005	395332305	395332405	395332505	395332605	395332705	395332805	395332905	395333005	395337405	395337505	395337605	25.40	1.00	20.32	0.80
5.08mm, Euro Plug, Vertical, Front Wire Entry	6	395332006	395332306	395332406	395332506	395332606	395332706	395332806	395332906	395333006	395337406	395337506	395337606	30.48	1.20	25.40	1.00
5.08mm, Euro Plug, Vertical, Front Wire Entry	7	395332007	395332307	395332407	395332507	395332607	395332707	395332807	395332907	395333007	395337407	395337507	395337607	35.56	1.40	30.48	1.20
5.08mm, Euro Plug, Vertical, Front Wire Entry	8	395332008	395332308	395332408	395332508	395332608	395332708	395332808	395332908	395333008	395337408	395337508	395337608	40.64	1.60	35.56	1.40
5.08mm, Euro Plug, Vertical, Front Wire Entry	9	395332009	395332309	395332409	395332509	395332609	395332709	395332809	395332909	395333009	395337409	395337509	395337609	45.72	1.80	40.64	1.60
5.08mm, Euro Plug, Vertical, Front Wire Entry	10	395332010	395332310	395332410	395332510	395332610	395332710	395332810	395332910	395333010	395337410	395337510	395337610	50.80	2.00	45.72	1.80
5.08mm, Euro Plug, Vertical, Front Wire Entry	11	395332011	395332311	395332411	395332511	395332611	395332711	395332811	395332911	395333011	395337411	395337511	395337611	55.88	2.20	50.80	2.00
5.08mm, Euro Plug, Vertical, Front Wire Entry	12	395332012	395332312	395332412	395332512	395332612	395332712	395332812	395332912	395333012	395337412	395337512	395337612	60.96	2.40	55.88	2.20
5.08mm, Euro Plug, Vertical, Front Wire Entry	13	395332013	395332313	395332413	395332513	395332613	395332713	395332813	395332913	395333013	395337413	395337513	395337613	66.04	2.60	60.96	2.40
5.08mm, Euro Plug, Vertical, Front Wire Entry	14	395332014	395332314	395332414	395332514	395332614	395332714	395332814	395332914	395333014	395337414	395337514	395337614	71.12	2.80	66.04	2.60
5.08mm, Euro Plug, Vertical, Front Wire Entry	15	395332015	395332315	395332415	395332515	395332615	395332715	395332815	395332915	395333015	395337415	395337515	395337615	76.20	3.00	71.12	2.80
5.08mm, Euro Plug, Vertical, Front Wire Entry	16	395332016	395332316	395332416	395332516	395332616	395332716	395332816	395332916	395333016	395337416	395337516	395337616	81.28	3.20	76.20	3.00
5.08mm, Euro Plug, Vertical, Front Wire Entry	17	395332017	395332317	395332417	395332517	395332617	395332717	395332817	395332917	395333017	395337417	395337517	395337617	86.36	3.40	81.28	3.20
5.08mm, Euro Plug, Vertical, Front Wire Entry	18	395332018	395332318	395332418	395332518	395332618	395332718	395332818	395332918	395333018	395337418	395337518	395337618	91.44	3.60	86.36	3.40
5.08mm, Euro Plug, Vertical, Front Wire Entry	19	395332019	395332319	395332419	395332519	395332619	395332719	395332819	395332919	395333019	395337419	395337519	395337619	96.52	3.80	91.44	3.60
5.08mm, Euro Plug, Vertical, Front Wire Entry	20	395332020	395332320	395332420	395332520	395332620	395332720	395332820	395332920	395333020	395337420	395337520	395337620	101.60	4.00	96.52	3.80
5.08mm, Euro Plug, Vertical, Front Wire Entry	21	395332021	395332321	395332421	395332521	395332621	395332721	395332821	395332921	395333021	395337421	395337521	395337621	106.68	4.20	101.60	4.00
5.08mm, Euro Plug, Vertical, Front Wire Entry	22	395332022	395332322	395332422	395332522	395332622	395332722	395332822	395332922	395333022	395337422	395337522	395337622	111.76	4.40	106.68	4.20
5.08mm, Euro Plug, Vertical, Front Wire Entry	23	395332023	395332323	395332423	395332523	395332623	395332723	395332823	395332923	395333023	395337423	395337523	395337623	116.84	4.60	111.76	4.40
5.08mm, Euro Plug, Vertical, Front Wire Entry	24	395332024	395332324	395332424	395332524	395332624	395332724	395332824	395332924	395333024	395337424	395337524	395337624	121.92	4.80	116.84	4.60

SEE SHEET 1 EC NO: NEO2006-0310 DRAWN: ROTHHAUS CHECK: YORK APPR: PAMILLIK 2006/01/09 2006/01/09 2006/01/10	QUALITY SYMBOLS ▽=0 ▽=0	GENERAL TOLERANCES (UNLESS SPECIFIED) <table border="1"> <tr> <th></th> <th>mm</th> <th>INCH</th> </tr> <tr> <td>4 PLACES</td> <td>± ---</td> <td>± .0015</td> </tr> <tr> <td>3 PLACES</td> <td>± 0.038</td> <td>± .005</td> </tr> <tr> <td>2 PLACES</td> <td>± 0.13</td> <td>± .01</td> </tr> <tr> <td>1 PLACE</td> <td>± 0.3</td> <td>± ---</td> </tr> </table>		mm	INCH	4 PLACES	± ---	± .0015	3 PLACES	± 0.038	± .005	2 PLACES	± 0.13	± .01	1 PLACE	± 0.3	± ---	DIMENSION STYLE MM/IN	SCALE 4:1	DESIGN UNITS INCH	THIRD ANGLE PROJECTION
		mm	INCH																		
	4 PLACES	± ---	± .0015																		
	3 PLACES	± 0.038	± .005																		
2 PLACES	± 0.13	± .01																			
1 PLACE	± 0.3	± ---																			
			DRAWN BY ROTHHAUS DATE 12/6/05	TITLE 5.08MM, EURO PLUG, VERTICAL, FRONT WIRE ENTRY																	
			CHECKED BY C. YORK DATE 01/05/06	MOLEX INCORPORATED																	
			APPROVED BY DATE	MATERIAL NO. SEE CHART	DOCUMENT NO. SD-39533-002	SHEET NO. 2 OF 2															

9 8 7 6 5 4 3 2 1