

2-16 poles, Spacing 5.08 mm
insert required no. of poles **
How to order see page 6

*Approvals pending



CSA 22.2 No. 158



DIN VDE 0627

300 VB

250 V

16 A

12 A (T60)

AWG 26-12

2.5 mm²

2.21 kV

0.5 Nm/M3

2.5 mm²

2.5 mm²

2.5 mm²

5.08 mm

7.0 mm

PA

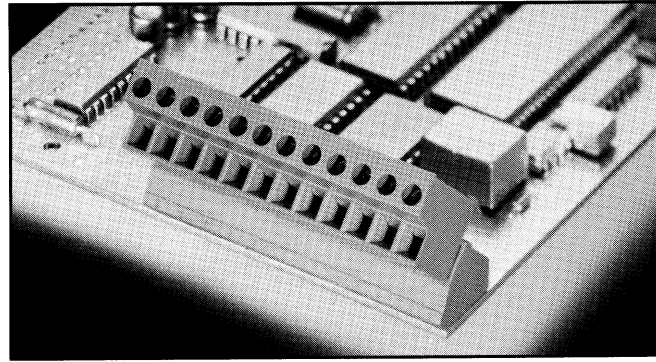
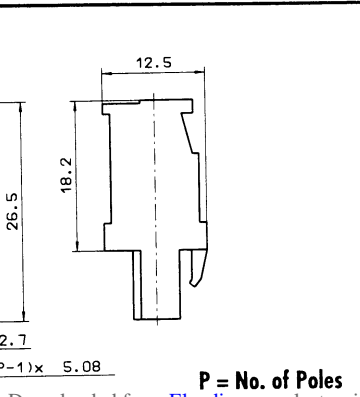
UL94 V-0

-30°C/+105°C

CuZn

CuSn

Green



2-24 poles, Spacing 5.08 mm
insert required no. of poles **
How to order see page 6

*Approvals pending



UL1059



CSA 22.2 No. 158



DIN VDE 0627

Ratings:

250 VB

300 VB

250 V

Rated Voltage

15 A

15 A

12 A (T60)

Rated Current

AWG 28-14

AWG 28-14

2.5 mm²

Test Voltage

2.21 kV

Rated Torque/Screw Size

0.5 Nm/M2.5

Rated Cross Section

Single Wire (solid)

2.5 mm²

Stranded Wire (flexible)

2.5 mm²

Stranded wire with Ferrules

2.5 mm²

Dimensions

Spacing

5.08 mm

Stripped Length

10.0 mm

Materials

Insulating Material

PA

Flammability Class

UL94 V-0

Temperature Range

-30°C/+105°C

Clamp Cage

Fe/Fe

Contact

CuSn

Color

Green

