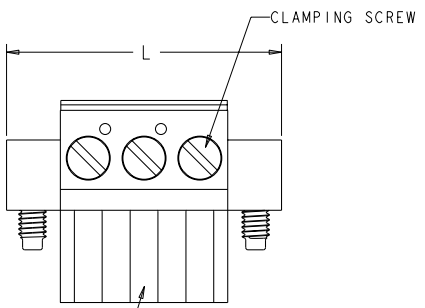
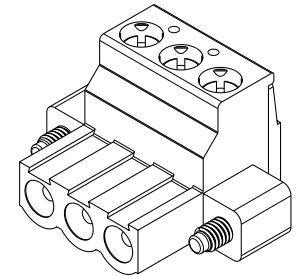
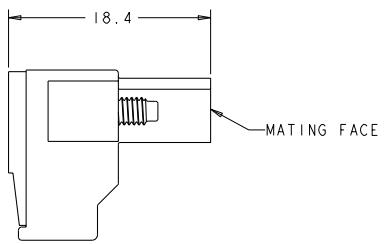
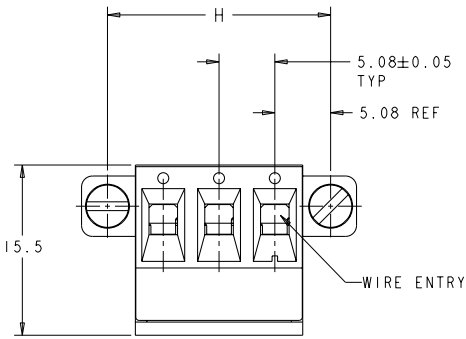


REV	DATE	BY	APPV
E3	11MAR2011	AK	HMA
DESCRIPTION: REVISED PER ECO-11-004587			



POLARIZATION KEY SLOT

PRELIMINARY	0.76µm GOLD	-	-	60.60	55.88	10	2-796859-6
PRELIMINARY	0.2µm GOLD	△6	DETAIL G	35.20	30.48	5	2-796859-5
PRELIMINARY	TIN	△5	DETAIL F	25.04	20.32	3	2-796859-4
	TIN	-	-	126.64	121.92	23	2-796859-3
	TIN	-	-	121.56	116.84	22	2-796859-2
	TIN	-	-	116.48	111.76	21	2-796859-1
	TIN	-	-	111.40	106.68	20	2-796859-0
	TIN	-	-	106.32	101.60	19	1-796859-9
	TIN	-	-	101.24	96.52	18	1-796859-8
	TIN	-	-	96.16	91.44	17	1-796859-7
	TIN	-	-	91.08	86.36	16	1-796859-6
	TIN	-	-	86.00	81.28	15	1-796859-5
	TIN	-	-	80.92	76.20	14	1-796859-4
	TIN	-	-	75.84	71.12	13	1-796859-3
	TIN	-	-	70.76	66.04	12	1-796859-2
	TIN	-	-	65.68	60.96	11	1-796859-1
	TIN	-	-	60.60	55.88	10	1-796859-0
	TIN	-	-	55.52	50.80	9	796859-9
	TIN	-	-	50.44	45.72	8	796859-8
	TIN	-	-	45.36	40.64	7	796859-7
	TIN	-	-	40.28	35.56	6	796859-6
	TIN	-	-	35.20	30.48	5	796859-5
	TIN	-	-	30.12	25.40	4	796859-4
	TIN	-	-	25.04	20.32	3	796859-3
	TIN	-	-	19.96	15.24	2	796859-2

- △ MATERIALS AND FINISH:  
HOUSING: PA 6-6, UL 94-V0, COLOR: GREEN.  
TERMINAL: PHOSPHOR BRONZE, PLATING: SEE TABLE, OVER 2-3µm NICKEL
- 2. SUITABLE FOR 1,6-2, 4mm PC BOARD THICKNESS.
- 3. RECOGNIZED UNDER THE COMPONENT PROGRAM OF UNDERWRITERS LABORATORIES INC. FILE No. E60677.
- 4. IMQ CERTIFICATE WITH SURVEILLANCE ON CONFORMITY WITH IEC 998-1/998-2-1.
- △ INK MARKING, COLOR: WHITE.
- △ LABEL APPLIED OR INK MARKING AS SHOWN.

THIS DRAWING IS A CONTROLLED DOCUMENT. DWG: S. WELDON, 12FEB2001, CD: D. BIEVENOUR, 12FEB2001, APPR: D. BIEVENOUR, 12FEB2001

**TE** TE Connectivity

TERMINAL BLOCK, PLUG, 90 DEGREE, WITH FLANGE, 5.08mm PITCH

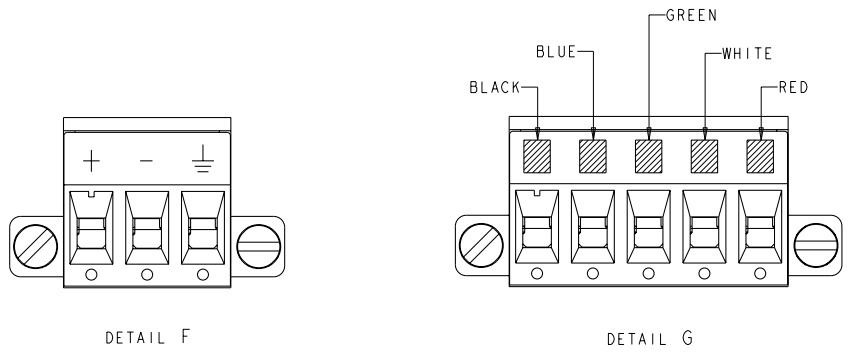
SHEET: A2, CASE CODE: 000779, DRAWING NO: 796859

MATERIAL: CUSTOMER DRAWING, FINISH: △

SCALE: 2:1, SHEET: 1 OF 2, REV: 3

THIS DRAWING IS UNPUBLISHED. RELEASED FOR PUBLICATION. COPYRIGHT © BY - ALL RIGHTS RESERVED.

REV	DATE	BY	APPROV
1	-	-	-
2	-	-	-
3	-	-	-
4	-	-	-



THIS DRAWING IS A CONTROLLED DOCUMENT.		OWN	S. WELDON	12FEB2001															
DIMENSIONS:		CD	D. BIEVENOUR	12FEB2001															
mm		APPR	D. BIEVENOUR	12FEB2001															
TOLERANCES UNLESS OTHERWISE SPECIFIED:		PRODUCT SPEC																	
<table border="0"> <tr><td>Ø</td><td>PLC</td><td>±0.2</td></tr> <tr><td></td><td>PLC</td><td>±0.05</td></tr> <tr><td></td><td>PLC</td><td>±0.005</td></tr> <tr><td></td><td>PLC</td><td>±0.0005</td></tr> <tr><td></td><td>ANGLES</td><td>±0.0005</td></tr> </table>		Ø	PLC	±0.2		PLC	±0.05		PLC	±0.005		PLC	±0.0005		ANGLES	±0.0005	APPLICATION SPEC		
Ø	PLC	±0.2																	
	PLC	±0.05																	
	PLC	±0.005																	
	PLC	±0.0005																	
	ANGLES	±0.0005																	
MATERIAL	FINISH	WEIGHT																	
-	-	-	A200779	C=796859															
		CUSTOMER DRAWING	SCALE	4:1															
			SHEET	2 OF 2															
			REV	E 3															



TERMINAL BLOCK, PLUG  
90 DEGREE, WITH FLANGE,  
5.08mm PITCH