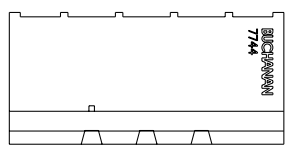
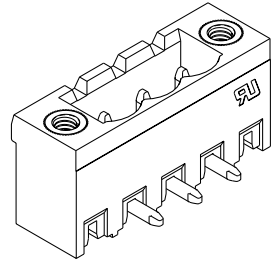
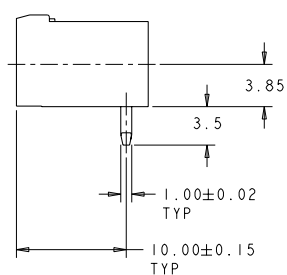
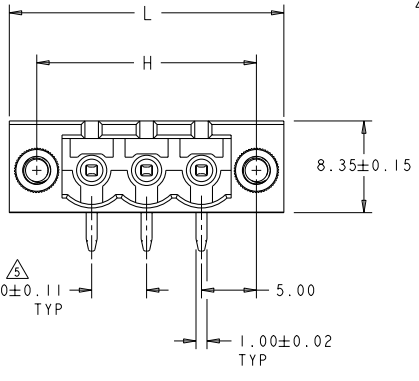


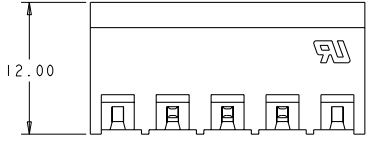
LOC		DIST		REVISIONS			
P	LYR	DESCRIPTION	DATE	BY	CHK	APPR	
D		REVISED PER ECO-08-003243	06/28/2008	SS	CR		



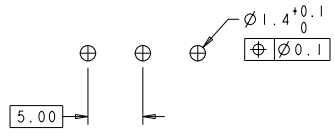
- △ MATERIALS AND FINISH:
HOUSING: PA 6-6, UL 94-V0, COLOR: GREEN.
TERMINAL: PHOSPHOR BRONZE, TIN PLATED.
- 2. SUITABLE FOR 1,6-2, 4mm PC BOARD THICKNESS.
- 3. RECOGNIZED UNDER THE COMPONENT PROGRAM OF UNDERWRITERS LABORATORIES INC. FILE No. E60677.
- 4. IMQ CERTIFICATE WITH SURVEILLANCE ON CONFORMITY WITH IEC 998-1/998-2-1.
- △ NOT CUMULATIVE TOLERANCE.
- 6. LOGO SIZE AND LOCATION APPROXIMATELY AS SHOWN.



796864-3 AS SHOWN



50.0	45.0	8	796864-8
45.0	40.0	7	796864-7
40.0	35.0	6	796864-6
35.0	30.0	5	796864-5
30.0	25.0	4	796864-4
25.0	20.0	3	796864-3
20.0	15.0	2	796864-2
L	H	NO. OF POSN	PART NUMBER



RECOMMENDED PC BOARD LAYOUT

DIMENSIONS: mm TO DIMENSIONS UNLESS OTHERWISE SPECIFIED.		DWG: 09FEB2001 S. WELDON CD: 09FEB2001 D. BLEVENOUR APD: 09FEB2001	Tyco Electronics Harrisburg, PA 17105-3608
0 PLC ±0.2 1 PLC ±0.25 2 PLC ±0.30 3 PLC ±0.35 4 PLC ±0.40 ANGLES ±0.0000	PRODUCT SPEC: - APPLICATION SPEC: - WEIGHT: - MATERIAL: △ FINISH: △	NAME: D. BLEVENOUR TITLE: CUSTOMER DRAWING	SHEET: A2 CASE CODE: 00779 DRAWING NO: 796864 SCALE: 4:1 SHEET 1 OF 1 REV D