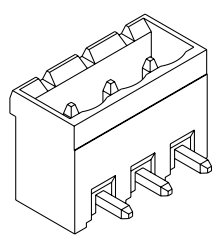
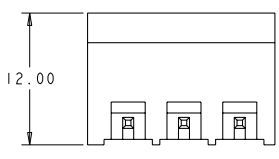
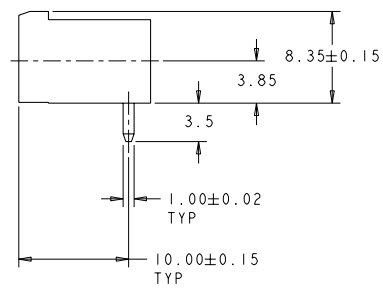
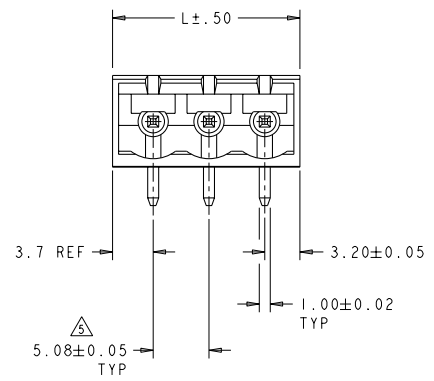
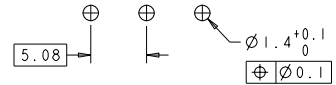


REV	DATE	BY	CHK	APPROV
C5	11MAR2011	RR	HMR	



796638-3 AS SHOWN



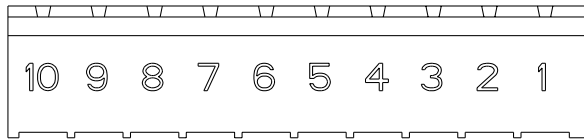
RECOMMENDED PC BOARD LAYOUT

REMOVE PIN 3

LOC	DISP	REV	DATE	BY	CHK	APPROV
FT	0					
27.22		5				4-796638-1
108.50		21				4-796638-0
88.18		17				3-796638-9
72.94		14				3-796638-8
62.78		12				3-796638-7
52.62		10				3-796638-6
47.54		9				3-796638-5
42.46		8				3-796638-4
37.38		7				3-796638-3
32.30		6				3-796638-2
27.22		5				3-796638-1
22.14		4				3-796638-0
17.06		3				2-796638-9
11.98		2				2-796638-8
42.46		8				2-796638-7
52.62		10				2-796638-6
128.82		25				2-796638-5
123.74		24				2-796638-4
118.66		23				2-796638-3
113.58		22				2-796638-2
108.50		21				2-796638-1
103.42		20				2-796638-0
98.34		19				1-796638-9
93.26		18				1-796638-8
88.18		17				1-796638-7
83.10		16				1-796638-6
78.02		15				1-796638-5
72.94		14				1-796638-4
67.86		13				1-796638-3
62.78		12				1-796638-2
57.70		11				1-796638-1
52.62		10				1-796638-0
47.54		9				796638-9
42.46		8				796638-8
37.38		7				796638-7
32.30		6				796638-6
27.22		5				796638-5
22.14		4				796638-4
17.06		3				796638-3
11.98		2				796638-2

THIS DRAWING IS A CONTROLLED DOCUMENT.		DWG S. WELDON 19OCT2000		TE Connectivity	
DIMENSIONS: mm		CD. B. BLEVENOUR 19OCT2000		TERMI-BLOK HEADER ASSEMBLY, 90 DEGREE, CLOSED ENDS, 5.08mm PITCH	
MATERIAL: FT		APPRO. D. BLEVENOUR 19OCT2000		SITE: A200779	
FINISH: FT		PRODUCT SPEC: APPLICATION SPEC		SCALE: 4:1	
WEIGHT: -		CUSTOMER DRAWING		SHEET 1 OF 2	

LOC	DISP	REVISIONS					
FT	0	P	LYR	DESCRIPTION	DATE	OWN	APPR
		-		SEE SHEET 1	-	-	-



DETAIL L

- △ MATERIALS AND FINISH:  
 HOUSING: PA 6-6, UL 94-V0, COLOR: GREEN.  
 TERMINAL: PHOSPHOR BRONZE, SEE TABLE.
- 2. SUITABLE FOR 1,6-2, 4mm PC BOARD THICKNESS.
- 3. RECOGNIZED UNDER THE COMPONENT PROGRAM OF UNDERWRITERS LABORATORIES INC. FILE N° E60677.
- 4. IMQ CERTIFICATE WITH SURVEILLANCE IN CONFORMITY WITH IEC 998-1/998-2-1.)
- △ NOT CUMULATIVE TOLERANCE
- △ INK MARKED WHITE.
- 7. BUCHANAN LOGO TO APPEAR ON HOUSING, LOCATION OPTIONAL WHERE SPACE PERMITS.
- △ CONTACTS SELECTIVELY LOADED IN POSITIONS 1,2,4,5,7,8.
- △ TIN PLATED WITH 6-7 μm, ALL OVER 2-3 μm NICKEL.
- △ GOLD PLATED WITH 0.76 μm, ALL OVER 2-3 μm NICKEL.
- △ PRELIMINARY - NOT FOR PRODUCTION.

THIS DRAWING IS A CONTROLLED DOCUMENT.		OWN S. WELDON 19OCT2000	
DIMENSIONS: mm		CD. D. BIEVENOUR 19OCT2000	
TOLERANCES UNLESS OTHERWISE SPECIFIED:		APPR. D. BIEVENOUR 19OCT2000	NAME: TERMI-BLOK HEADER ASSEMBLY, 90 DEGREE, CLOSED ENDS, 5.08mm PITCH
0 PLC ±0.3 1 PLC ±0.25 2 PLC ±0.25 3 PLC ±0.25 4 PLC ±0.25 ANGLES ±0.5		PRODUCT SPEC	
MATERIAL FINISH		APPLICATION SPEC	RESTRICTED TO
		WEIGHT	SHEET CASE CODE DRAWING NO
		CUSTOMER DRAWING	A200779 ©=796638
		SCALE 4:1	SHEET 2 OF 2 REV C5