

UDK-RELG 2

Order No.: 2777030

The illustration shows versions with a different no. of positions



<http://eshop.phoenixcontact.de/phoenix/treeViewClick.do?UID=2777030>

Basic termination blocks with test connection on both sides and double connections with the same potential for NS 32 and NS 35/7,5 DIN rail, with end cover, for ST-REL..., ST-OV... and ST-OE... plugs, 2-pos.

| Commercial data | |
|--------------------------|-------------------|
| EAN | 4017918068622 |
| Pack | 50 pcs. |
| Customs tariff | 85369010 |
| Weight/Piece | 0.03598 KG |
| Catalog page information | Page 95 (IF-2005) |

Product notes

WEEE/RoHS-compliant since:
01/01/2003



<http://www.download.phoenixcontact.com>
Please note that the data given here has been taken from the online catalog. For comprehensive information and data, please refer to the user documentation. The General Terms and Conditions of Use apply to Internet downloads.

Technical data

| General data | |
|-----------------------|--|
| Number of positions | 2 |
| Nominal voltage U_N | 400 V (voltage is determined by the coupling connector.) |

| | |
|-------------------------------------|---|
| Nominal current I_N | 16 A (current is determined by the coupling connector.) |
| Color | gray |
| Insulating material | PA |
| Depth | 63.6 mm |
| Width with lid | 14.6 mm |
| Height with coupling plug NS 35/7,5 | 113 mm |

Connection data

| | |
|--|---------------------|
| Conductor cross section solid min. | 0.2 mm ² |
| Conductor cross section solid max. | 4 mm ² |
| Conductor cross section stranded min. | 0.2 mm ² |
| Conductor cross section stranded max. | 4 mm ² |
| Conductor cross section AWG/kcmil min. | 24 |
| Conductor cross section AWG/kcmil max | 12 |
| Type of connection | Screw connection |
| Stripping length | 7 mm |
| Screw thread | M3 |

Certificates / Approvals

Certification

CUL, GOST, UL

CUL

| | |
|-----------------------|-------|
| Nominal voltage U_N | 300 V |
| Nominal current I_N | 15 A |
| AWG/kcmil | 30-12 |

UL

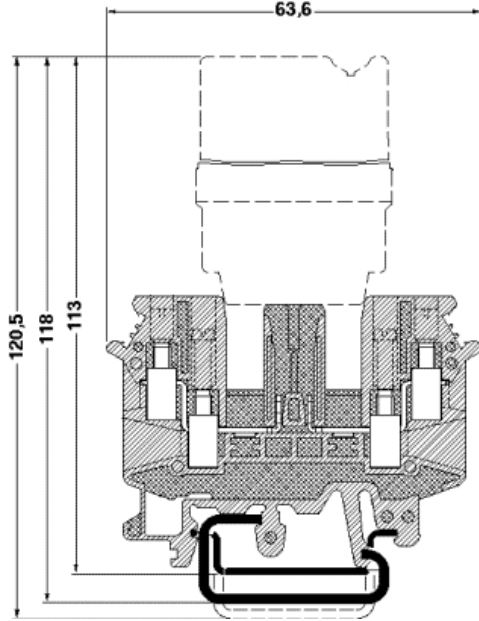
| | |
|-----------------------|-------|
| Nominal voltage U_N | 300 V |
| Nominal current I_N | 15 A |
| AWG/kcmil | 30-12 |

Accessories

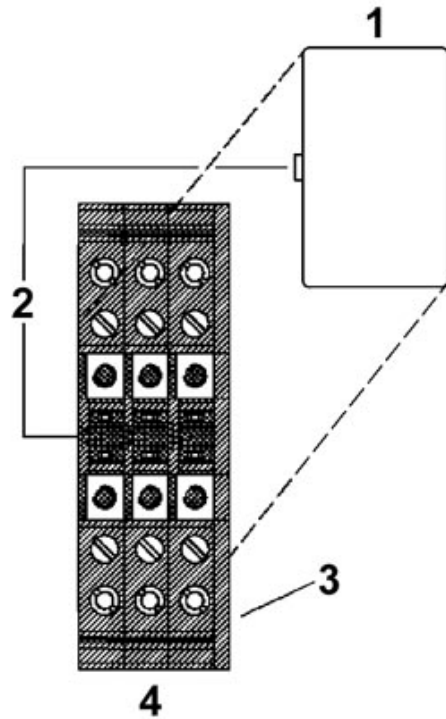
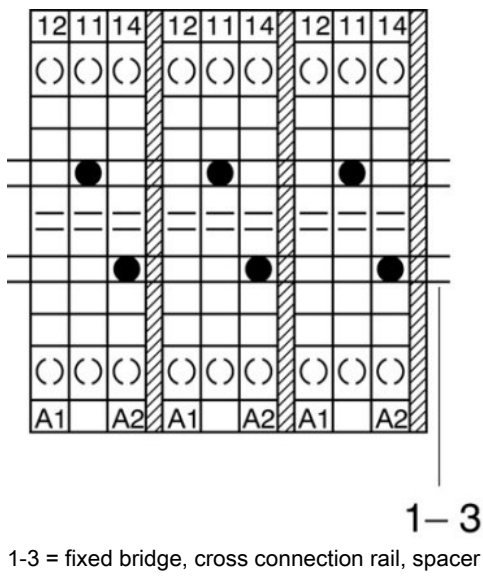
| Item | Designation | Description |
|---------------------|--------------|--|
| Assembly | | |
| 1201442 | E/UK | End clamp, for assembly on NS 32 or NS 35/7,5 DIN rail |
| 0201595 | FB-150 METER | Cross connection rail, for fixed bridging of identical inputs and outputs, made of Cu, nickel-plated, 1 m long |
| 3004207 | VS | Connection pin, Length: 1000 mm, Color: white |
| 2303608 | ZSR | Distance piece, metal, for branches of FB-150, with screw and thrust washer |
| Bridges | | |
| 2820916 | DB 50- 90 BK | Wire bridge, Color: black |
| 2821180 | DB 50- 90 BU | Wire bridge, Color: blue |
| 2820929 | DB 50- 90 GY | Wire bridge, Color: gray |
| 2961066 | KB RELG 2 | Fixed bridge, for cross connections, with screw, 2-pos. |
| 2961079 | KB RELG 3 | Fixed bridge, for cross connections, with screw, 3-pos. |
| 2961082 | KB RELG 4 | Fixed bridge, for cross connections, with screw, 4-pos. |
| 2961095 | KB RELG 7 | Fixed bridge, for cross connections, with screw, 7-pos. |
| Plug/Adapter | | |
| 0201647 | RPS | Reducing plug, Color: gray |

Diagrams/Drawings

Dimensioned drawing



Schematic diagram



- 1 = Coupling connector
- 2 = Coding
- 3 = Cover
- 4 = Basic termination block

Address

PHOENIX CONTACT Inc., USA
586 Fulling Mill Road
Middletown, PA 17057, USA
Phone (800) 888-7388
Fax (717) 944-1625
<http://www.phoenixcon.com>



© 2010 Phoenix Contact
Technical modifications reserved;