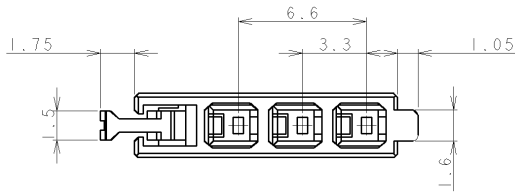


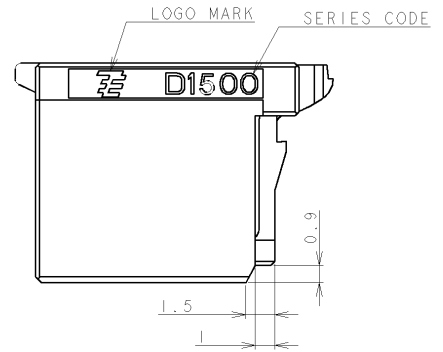
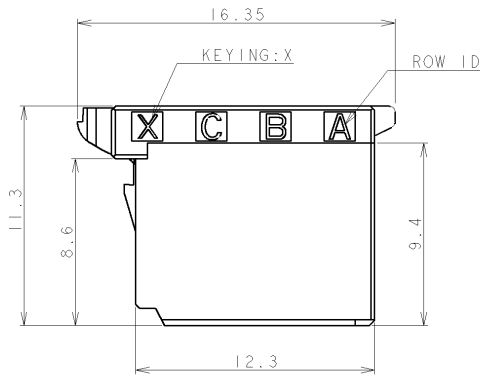
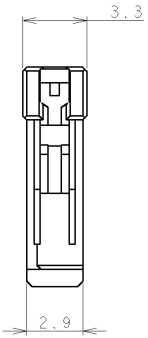
THIS DRAWING IS UNPUBLISHED. RELEASED FOR PUBLICATION 2005
 © COPYRIGHT 2005 BY TYCO ELECTRONICS CORPORATION. ALL INTERNATIONAL RIGHTS RESERVED.

LOC	DIST	REVISIONS					
J		F	LTR	DESCRIPTION	DATE	DWN	APVD
		C		REVISED PER ECR-10-007167	05MAY10	HMR	T.M

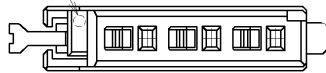


1. MATERIAL: GLASS FILED THERMO PLASTIC POLYESTER(94V-0), COLOR: BLACK
 2. THE SHAPE, SIZE AND POSITION OF THE CHARACTER SHOW THE OUTLINE. THEY DON'T SHOW DETAILS.

1. 材料: ガラス入り熱可塑性ポリエステル樹脂(94V-0)、色: 黒
 2. 文字の形状、大きさ、および位置については、大略を示すものであり、詳細を示すものではありません。



CAVITY MARK (ALPHABET: CAPITAL LETTER)



AS SHOWN : 1-1827579-1

THIS DRAWING IS A CONTROLLED DOCUMENT FOR TYCO ELECTRONICS CORPORATION IT IS SUBJECT TO CHANGE AND THE CONTROLLING ENGINEERING ORGANIZATION SHOULD BE CONTACTED FOR THE LATEST REVISION.		DWN T. KUDO 11 JAN 2005 CHK D. MITSUGI 24 AUG 2005 APVD D. MITSUGI 24 AUG 2005	Tyco Electronics Corporation Kawasaki, Japan
DIMENSIONS: 単位: ㎜ mm	TOLERANCES UNLESS OTHERWISE SPECIFIED: 一般公差 ±0.3, ±3° +PLC ± -PLC ± +PLC ± -PLC ± +PLC ± -PLC ± ANGLES: FINISH 仕上	NAME 名称 DYNAMIC D1500T REC HSG 3 POS	RESTRICTED TO
MATERIAL 材質	FINISH 仕上	PRODUCT SPEC 仕様書 108-78268 APPLICATION SPEC 114-5377 WEIGHT	SIZE 寸法 A3 CAGE CODE 品番 00779 DRAWING NO 図番 1-1827579
CUSTOMER DRAWING		SCALE 縮尺 5:1	SHEET 1 OF 1 REV C