

4

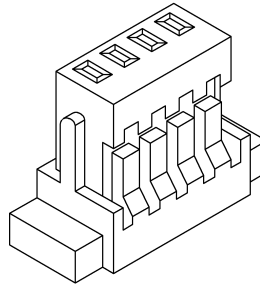
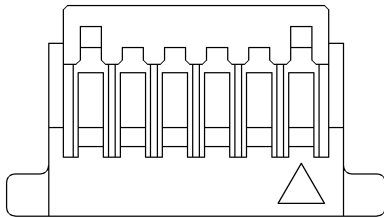
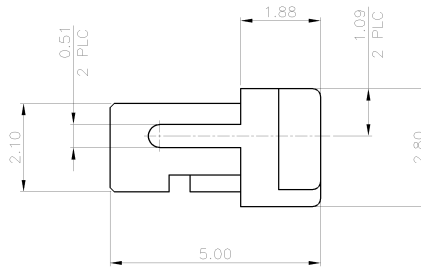
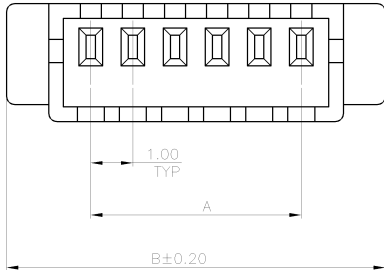
3

2

1

THIS DRAWING IS UNPUBLISHED. RELEASED FOR PUBLICATION AUG. 2006.
 © COPYRIGHT 2009 BY TYCO ELECTRONICS CORPORATION. ALL RIGHTS RESERVED.

LOC	DIST	REVISIONS			
P	LTR	DESCRIPTION	DATE	DWN	APVD
	01	REVISED (ECR-10-023154)	10NOV10	JC	WK



DIM. B	DIM. A	NO. OF CONTACTS	PART NUMBER
18.00	14.00	15	1-1470364-5
17.00	13.00	14	1-1470364-4
16.00	12.00	13	1-1470364-3
15.00	11.00	12	1-1470364-2
14.00	10.00	11	1-1470364-1
13.00	9.00	10	1-1470364-0
12.00	8.00	9	1470364-9
11.00	7.00	8	1470364-8
10.00	6.00	7	1470364-7
9.00	5.00	6	1470364-6
8.00	4.00	5	1470364-5
7.00	3.00	4	1470364-4
6.00	2.00	3	1470364-3
5.00	1.00	2	1470364-2

NOTE:

- MATERIAL:
HOUSING: THERMOPLASTIC UL 94V-0.
- APPLY TERMINAL PART NUMBER: 1470365-X & 1734597-X.
- PACKAGING: BAG.

THIS DRAWING IS A CONTROLLED DOCUMENT.		DWN A. WU 22OCT2002	Tyco Electronics Corporation Taipei, Taiwan	
DIMENSIONS: MM		CHK J. CHENG 22OCT2002		
TOLERANCES UNLESS OTHERWISE SPECIFIED: 0 PLC ± - 1 PLC ± - 2 PLC ± 0.1 3 PLC ± - 4 PLC ± - ANGLES ± -		APVD J. WU 22OCT2002	NAME	
		PRODUCT SPEC 108-57264	1.0 MM PITCH WIRE TO BOARD CONNECTOR, RECEPTACLE, SMT, HOUSING	
MATERIAL SEE NOTE		FINISH SEE NOTE	APPLICATION SPEC	RESTRICTED TO
		WEIGHT SEE TABLE	SIZE A3	CAGE CODE 00779
		CUSTOMER DRAWING	DRAWING NO. C-1470364	SCALE -
			SHEET 1 of 2	REV 01

4

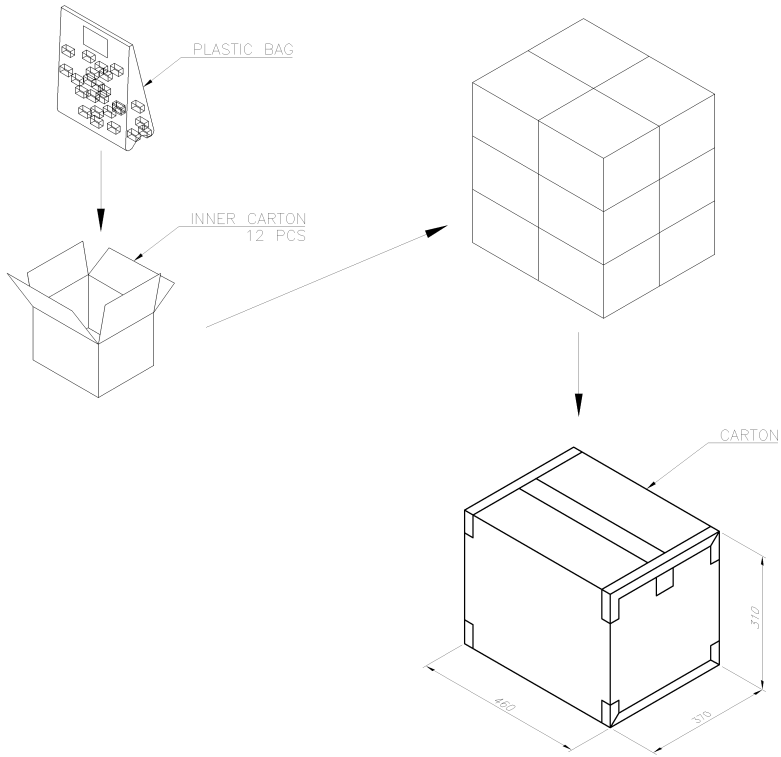
3

2

1

THIS DRAWING IS UNPUBLISHED. RELEASED FOR PUBLICATION AUG. 2006.
 © COPYRIGHT 2009 BY TYCO ELECTRONICS CORPORATION. ALL RIGHTS RESERVED.

LOC	DIST	REVISIONS			
P	LTR	DESCRIPTION	DATE	DWN	APVD
		SEE SHEET 1.			



	NO. OF CONTACTS	GROSS WEIGHT	NET WEIGHT	QUANTITY
15		8.72 KG	5.95 KG	48000 PCS
14		8.39 KG	5.62 KG	48000 PCS
13		8.05 KG	5.28 KG	48000 PCS
12		7.71 KG	4.94 KG	48000 PCS
11		9.68 KG	6.91 KG	72000 PCS
10		9.18 KG	6.41 KG	72000 PCS
9		8.67 KG	5.90 KG	72000 PCS
8		8.17 KG	5.40 KG	72000 PCS
7		7.67 KG	4.90 KG	72000 PCS
6		8.63 KG	5.86 KG	96000 PCS
5		7.95 KG	5.18 KG	96000 PCS
4		7.28 KG	4.51 KG	96000 PCS
3		6.61 KG	3.84 KG	96000 PCS
2		5.94 KG	3.17 KG	96000 PCS

THIS DRAWING IS A CONTROLLED DOCUMENT.		DWN	Tyco Electronics Corporation Taipei, Taiwan	
DIMENSIONS: MM	TOLERANCES UNLESS OTHERWISE SPECIFIED:	CHK	NAME	1.0 MM PITCH WIRE TO BOARD CONNECTOR, RECEPTACLE, SMT, HOUSING
	0 PLC ± - 1 PLC ± - 2 PLC ± - 3 PLC ± - 4 PLC ± - ANGLES ± -	APVD	PRODUCT SPEC	
MATERIAL SEE NOTE	FINISH SEE NOTE	APPLICATION SPEC	WEIGHT SEE TABLE	RESTRICTED TO
CUSTOMER DRAWING		SIZE A3	CAGE CODE 00779	DRAWING NO. C-1470364
		SCALE	SHEET	REV
			2 OF 2	01