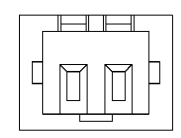
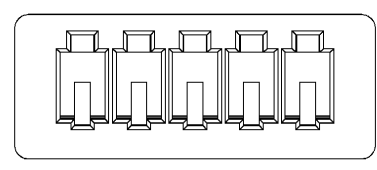
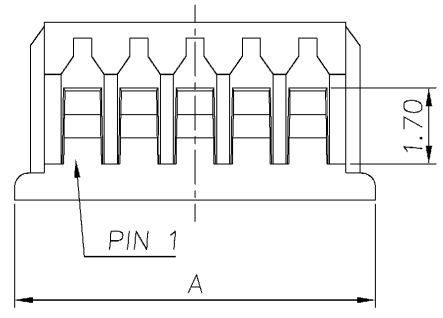
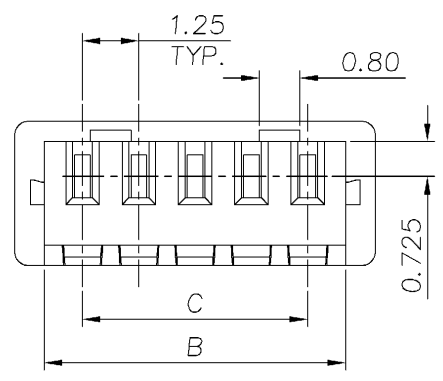
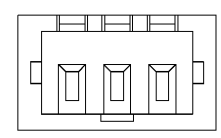


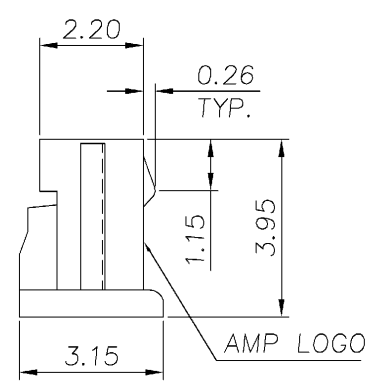
NUMBER C-440146
 METRIC
 3RD ANGLE PROJECTION



2 POS.



3 POS.



NOTE:
 1. MATERIAL:
 HOUSING: THERMOPLASTIC, UL 94V-0,
 COLOR: NATURAL.
 2. APPLY TERMINAL PART NO: X-440147-X.

15	20.50	19.20	17.50	1-440146-5
14	19.25	17.95	16.25	1-440146-4
13	18.00	16.70	15.00	1-440146-3
12	16.75	15.45	13.75	1-440146-2
11	15.50	14.20	12.50	1-440146-1
10	14.25	12.95	11.25	1-440146-0
9	13.00	11.70	10.00	440146-9
8	11.75	10.45	8.75	440146-8
7	10.50	9.20	7.50	440146-7
6	9.25	7.95	6.25	440146-6
5	8.00	6.70	5.00	440146-5
4	6.75	5.45	3.75	440146-4
3	5.50	4.20	2.50	440146-3
2	4.25	2.95	1.25	440146-2
POS.	A	B	C	PART NUMBER

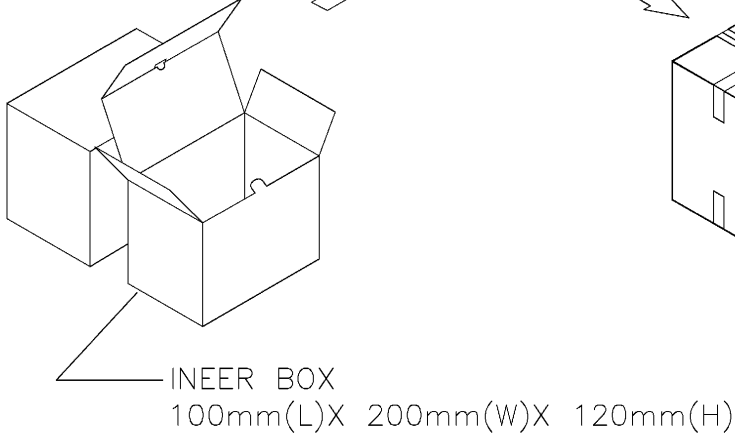
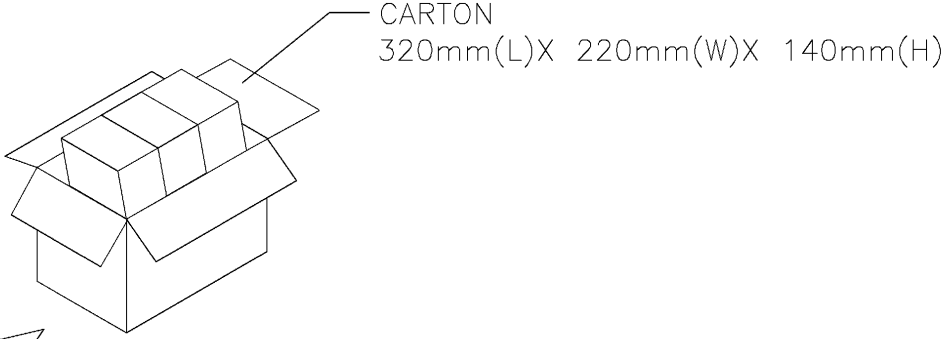
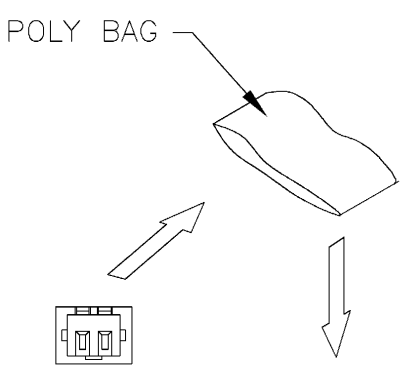
B	REVISED DRAWING	FZ00-0167-03	OH	31JUL
			AW	2003
A	REVISED	FZ00-0166-02	OH	29JUL
			JC	2002
O	FIRST RELEASED	FZ00-0078-02	OH	04APR
			JC	2002
LTR	REVISION RECORD	ECN	DWN	DATE
			CHK	

DIMENSION :		DWN	O. HU	TYCO		TYCO HOLDINGS (BERMUDA)			
0 PLC ±		29-JUL-2003		Electronics		VII LTD. TAIWAN BRANCH			
1 PLC ±0.15		CHK	A. WU	NAME					
2 PLC ±0.10		29-JUL-2003		WIRE TO BOARD SOCKET,					
3 PLC ±0.05		29-JUL-2003		HOUSING, 1.25 PITCH.					
ANGLES ±3		APVD		J. CHENG					
MATERIAL		PRODUCT SPEC		108-57225					
SEE NOTE		QUALIFICATION TEST REPORT		501-57229					
FINISH		WEIGHT		SCALE					
SEE NOTE		LOC		SIZE		DRAWING NO		REV	
		DW		A3		C-440146		B	
		SCALE		--		SHEET		1 OF 2	

PRINT DW
 THIS INFORMATION IS CONFIDENTIAL AND IS DISCLOSED TO YOU ON CONDITION THAT NO PARTS OR DISASSEMBLED PARTS WILL BE MADE BY YOU OR OTHER PERSONNEL WITHOUT PERMISSION IN WRITING. DIMENSIONS IN MILLIMETERS. DO NOT SCALE PRINT.

8 7 6 5 4 3 2 1 CUSTOMER DRAWING

NUMBER C-440146
 3RD ANGLE PROJECTION
 METRIC



15,000	1,000	1-440146-5
15,000	1,000	1-440146-4
15,000	1,000	1-440146-3
18,000	1,000	1-440146-2
18,000	1,000	1-440146-1
21,000	1,000	1-440146-0
21,000	1,000	440146-9
24,000	1,000	440146-8
27,000	1,000	440146-7
30,000	1,000	440146-6
33,000	1,000	440146-5
36,000	1,000	440146-4
48,000	2,000	440146-3
60,000	2,000	440146-2
APQ	PPQ	PART NUMBER
(PCS/CARTON)	(PCS/BAG)	

PRINT DW
 THIS INFORMATION IS CONFIDENTIAL AND IS DISCLOSED TO YOU ON CONDITION THAT NO FURTHER DISCLOSURE IS MADE BY YOU TO OTHER THAN AMP PERSONNEL WITHOUT DIMENSIONS IN MILLIMETERS. DO NOT SCALE PRINT.

DIMENSION : 0 PLC # 1 PLC ±0.15 2 PLC ±0.10 3 PLC ±0.05 ANGLES ±3	DWN O. HU 29-JUL-2003	TYCO HOLDINGS (BERMUDA) VII LTD. TAIWAN BRANCH NAME
	CHK A. WU 29-JUL-2003	
MATERIAL SEE NOTE	APVD J. CHENG 29-JUL-2003	PRODUCT SPEC WIRE TO BOARD SOCKET, HOUSING, 1.25 PITCH.
FINISH SEE NOTE	QUALIFICATION TEST REPORT	LOC DW A3 SCALE --
LTR SEE SHEET 1.		DRAWING NO C-440146 SHEET 2 OF 2
LTR REVISION RECORD	ECN	DATE

LTR	REVISION RECORD	ECN	DWN/CHK	DATE
-----	-----------------	-----	---------	------

8 7 6 5 4 3 2 1 CUSTOMER DRAWING