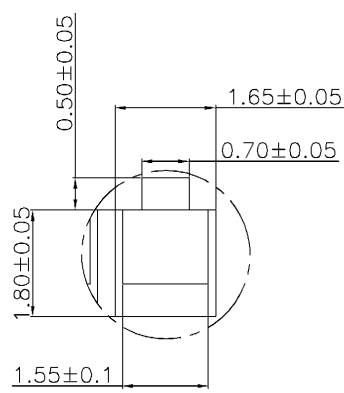
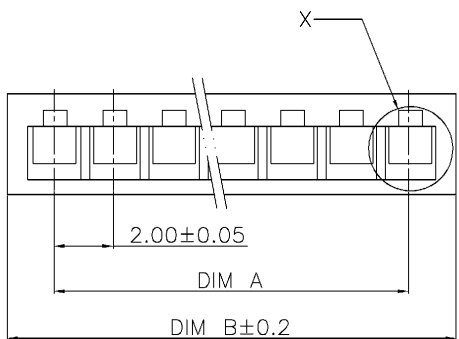
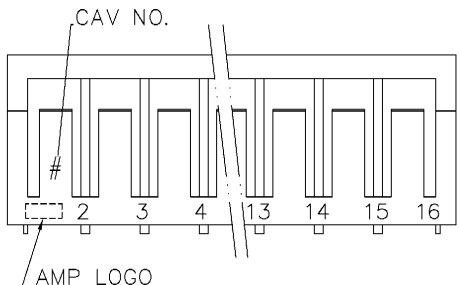


NUMBER C-1470201
 3RD ANGLE PROJECTION
 METRIC
 THIS INFORMATION IS CONFIDENTIAL AND IS DISCLOSED TO YOU ON CONDITION THAT NO PARTNER DISCLOSEURE IS MADE BY YOU TO OTHER THAN AMP PERSONNEL WITHOUT DIMENSIONS IN MILLIMETERS. DO NOT SCALE PRINT.
 PRINT DW



DETAIL X
SCALE 2:1

NOTE:
1. MATERIAL :
HOUSING : THERMOPLASTIC UL94V-0,
COLOR: SEE TABLE.

YELLOW	33.2	30.00±0.20	16	3-1470201-6
	31.2	28.00±0.20	15	3-1470201-5
	29.2	26.00±0.20	14	3-1470201-4
	27.2	24.00±0.20	13	3-1470201-3
	25.2	22.00±0.15	12	3-1470201-2
	23.2	20.00±0.15	11	3-1470201-1
	21.2	18.00±0.15	10	3-1470201-0
	19.2	16.00±0.15	9	2-1470201-9
	17.2	14.00±0.10	8	2-1470201-8
	15.2	12.00±0.10	7	2-1470201-7
	13.2	10.00±0.10	6	2-1470201-6
	11.2	8.00±0.08	5	2-1470201-5
	9.2	6.00±0.08	4	2-1470201-4
	7.2	4.00±0.05	3	2-1470201-3
	5.2	2.00±0.05	2	2-1470201-2
	NATURAL	33.2	30.00±0.20	16
31.2		28.00±0.20	15	1-1470201-5
29.2		26.00±0.20	14	1-1470201-4
27.2		24.00±0.20	13	1-1470201-3
25.2		22.00±0.15	12	1-1470201-2
23.2		20.00±0.15	11	1-1470201-1
21.2		18.00±0.15	10	1-1470201-0
19.2		16.00±0.15	9	1470201-9
17.2		14.00±0.10	8	1470201-8
15.2		12.00±0.10	7	1470201-7
13.2		10.00±0.10	6	1470201-6
11.2		8.00±0.08	5	1470201-5
9.2		6.00±0.08	4	1470201-4
7.2		4.00±0.05	3	1470201-3
5.2		2.00±0.05	2	1470201-2

HOUSING COLOR	DIM. B	DIM. A	POS.	PART NUMBER		
DWN	O. HU	TYCO HOLDINGS (BERMUDA) VII LTD. TAIWAN BRANCH				
CHK	J. CHENG					
MATERIAL	APVD	J. WU	2.0 MM PITCH, CRIMP, VERTICAL HOUSING.			
SEE NOTE	PRODUCT SPEC	108-57158				
FINISH	QUALIFICATION TEST REPORT	501-57248	LOC DW	SIZE A ₃	DRAWING NO C-1470201	REV B
SEE NOTE	WEIGHT		SCALE	SHEET	1 OF 2	

B	ADD PART NUMBERS	FZ00-0228-02	OH	JC	25OCT 2002
A	DELETE PART NUMBER	FZ00-0178-02	OH	JC	16AUG 2002
O	FIRST RELEASED	FZ00-0155-02	OH	JC	18JUL 2002
LTR	REVISION RECORD	ECN	DWN	CHK	DATE

8 7 6 5 4 3 2 1 CUSTOMER DRAWING

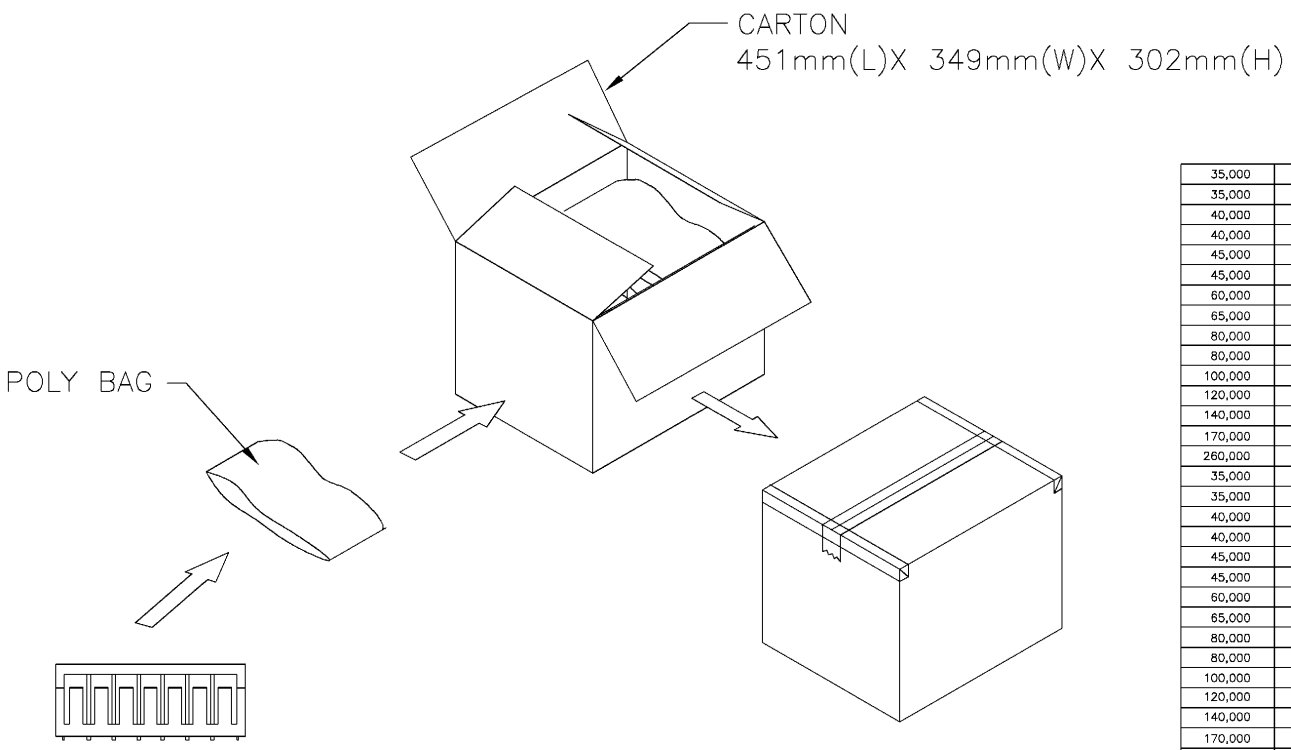
NUMBER C-1470201



METRIC

THIS INFORMATION IS CONFIDENTIAL AND IS DISCLOSED TO YOU ON THE CONDITION THAT YOU WILL NOT REPRODUCE, COPY, OR TRANSMIT IT IN ANY FORM OR BY ANY MEANS, WITHOUT WRITTEN AUTHORIZATION FROM AMP (CANADA) LTD. DIMENSIONS IN MILLIMETERS. DO NOT SCALE PRINT.

PRINT DW



35,000	1000	3-1470201-6
35,000	1000	3-1470201-5
40,000	1000	3-1470201-4
40,000	1000	3-1470201-3
45,000	1000	3-1470201-2
45,000	1000	3-1470201-1
60,000	1000	3-1470201-0
65,000	1000	2-1470201-9
80,000	1000	2-1470201-8
80,000	1000	2-1470201-7
100,000	1000	2-1470201-6
120,000	1000	2-1470201-5
140,000	1000	2-1470201-4
170,000	1000	2-1470201-3
260,000	1000	2-1470201-2
35,000	1000	1-1470201-6
35,000	1000	1-1470201-5
40,000	1000	1-1470201-4
40,000	1000	1-1470201-3
45,000	1000	1-1470201-2
45,000	1000	1-1470201-1
60,000	1000	1-1470201-0
65,000	1000	1470201-9
80,000	1000	1470201-8
80,000	1000	1470201-7
100,000	1000	1470201-6
120,000	1000	1470201-5
140,000	1000	1470201-4
170,000	1000	1470201-3
260,000	1000	1470201-2
APQ (PCS/CARTON)	PPQ (PCS/BAG)	PART NUMBER

DIMENSION :	DWN	D. HU	25-OCT-2002
0 PLC #	CHK	J. CHENG	25-OCT-2002
1 PLC #			
2 PLC #			
3 PLC #			
ANGLES ±			
MATERIAL	APVD	J. WU	25-OCT-2002
SEE NOTE	PRODUCT SPEC		
FINISH	APPLICATION SPEC		
SEE NOTE	WEIGHT		

tyco		TYCO HOLDINGS (BERMUDA)	
Electronics		VII LTD. TAIWAN BRANCH	
NAME			
2.0 MM PITCH, CRIMP, VERTICAL HOUSING.			
LOC	SIZE	DRAWING NO	REV
DW	A _s	C-1470201	B
SCALE		SHEET	
--		2 OF 2	

LTR	REVISION RECORD	ECN	DWN	CHK	DATE
	SEE SHEET 1.				

CUSTOMER DRAWING