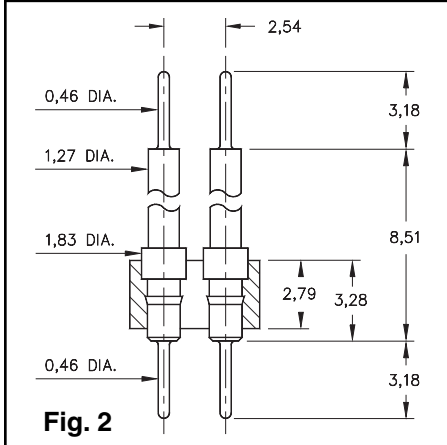
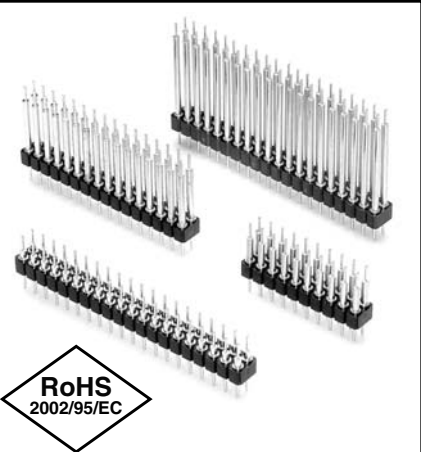


- Series 442 Interconnect Header strips come in four heights with 0,46 dia. pluggable solder tails at both ends.
- 442...591 uses pin #4259-1 (L = 5,33)
- 442...592 uses pin #4259-2 (L = 8,51)
- 442...593 uses pin #4259-3 (L = 14,86)
- 442...594 uses pin #4259-4 (L = 21,21)
- See pages 179 for details.
- Insulators are high temp. thermoplastic.



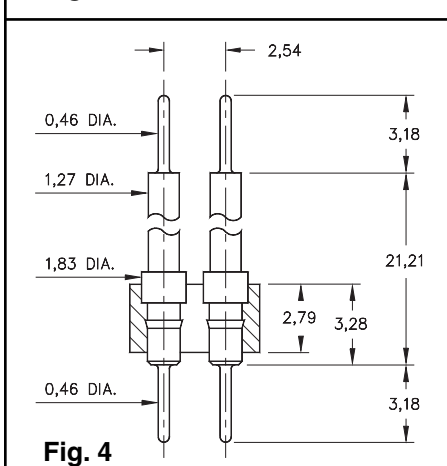
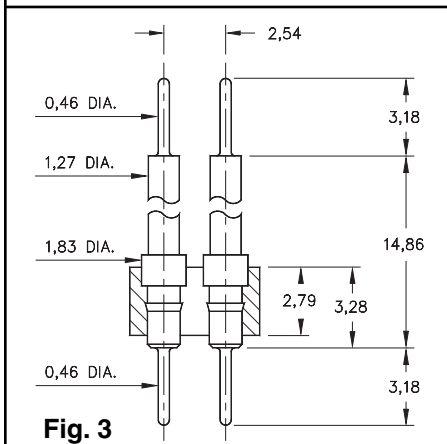
Ordering Information

Fig. 1	Series 442...591 0,46 / 0,46 Interconnect
	442-XX-2_ _ -00-591000 Specify # of pins ↪ 02-64

Fig. 2	Series 442...592 0,46 / 0,46 Interconnect
	442-XX-2_ _ -00-592000 Specify # of pins ↪ 02-64

Fig. 3	Series 442...593 0,46 / 0,46 Interconnect
	442-XX-2_ _ -00-593000 Specify # of pins ↪ 02-64

Fig. 4	Series 442...594 0,46 / 0,46 Interconnect
	442-XX-2_ _ -00-594000 Specify # of pins ↪ 02-64



For Electrical, Mechanical & Environmental Data, See pg. 4

XX=Plating Code See Below

For RoHS compliance select ◇ plating code.

SPECIFY PLATING CODE XX=	10 ◇	90	40 ◇	
Pin Plating	0,25µ Au	5,08µ Sn/Pb	5,08µ Sn	

Downloaded from Elcodis.com electronic components distributor