

Fig. 1

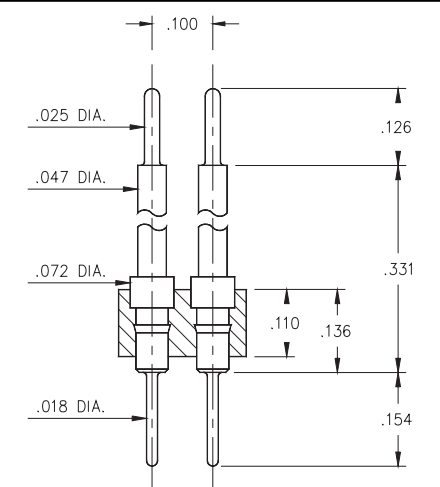


Fig. 2

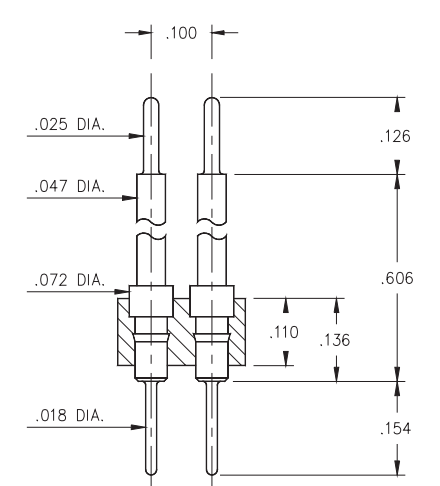


Fig. 3

- Series 451 Interconnect header strips come in three lengths with .018" dia. pluggable solder tails at one end and .025" dia. pins at the other, see series:
451...003 uses pin #5503
451...004 uses pin #5504
451...005 uses pin #5505
- .018" pluggable solder tails are available at both ends, please see series:
451...009 uses pin #5509
451...010 uses pin #5510
451...011 uses pin #5511
See pages 179 & 181 for details.
- Insulators are high temp. thermoplastic.



Ordering Information

Fig. 1	Series 451...003 .018 / .025 Solder Tails
	451-10-2_ _ -00-003000 Specify # of pins ↳ 02-64
Fig. 2	Series 451...009 .018 / .018 Solder Tails
	451-10-2_ _ -00-009000 Specify # of pins ↳ 02-64
Fig. 3	Series 451...004 .018 / .025 Solder Tails
	451-10-2_ _ -00-004000 Specify # of pins ↳ 02-64
Fig. 3	Series 451...010 .018 / .018 Solder Tails
	451-10-2_ _ -00-010000 Specify # of pins ↳ 02-64
Fig. 3	Series 451...005 .018 / .025 Solder Tails
	451-10-2_ _ -00-005000 Specify # of pins ↳ 02-64
Fig. 3	Series 451...011 .018 / .018 Solder Tails
	451-10-2_ _ -00-011000 Specify # of pins ↳ 02-64

For Electrical, Mechanical & Environmental Data, See pg. 4

For RoHS compliance select ◇ plating code.

PLATING CODE =	10◇		
Pin Plating	10μ" Au		