

Fig. 1

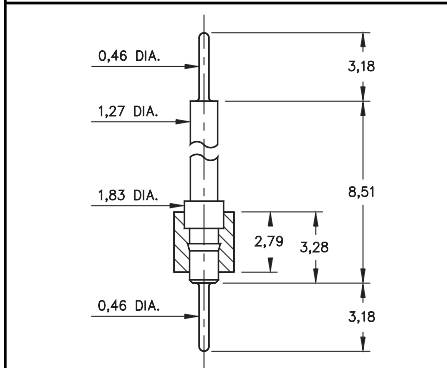


Fig. 2

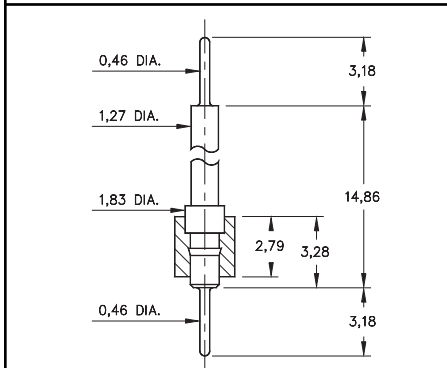


Fig. 3

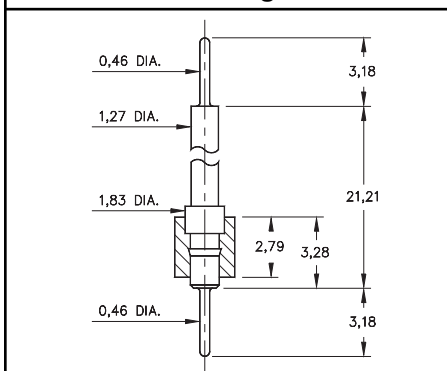


Fig. 4

- Series 342 Interconnect Header strips come in four heights with 0,46 dia. pluggable solder tails at both ends.
- 342...591 uses pin #4259-1 (L = 5,33)
- 342...592 uses pin #4259-2 (L = 8,51)
- 342...593 uses pin #4259-3 (L = 14,86)
- 342...594 uses pin #4259-4 (L = 21,21)
- See pages 179 for details.

- Insulators are high temp. thermoplastic.



Ordering Information

Fig. 1	Series 342...591	0,46 / 0,46 Solder Tails
	342-XX-1__-00-591000	Specify # of pins → 01-64
Fig. 2	Series 342...592	0,46 / 0,46 Solder Tails
	342-XX-1__-00-592000	Specify # of pins → 01-64
Fig. 3	Series 342...593	0,46 / 0,46 Solder Tails
	342-XX-1__-00-593000	Specify # of pins → 01-64
Fig. 4	Series 342...594	0,46 / 0,46 Solder Tails
	342-XX-1__-00-594000	Specify # of pins → 01-64

For Electrical, Mechanical & Environmental Data, See pg. 4

XX=Plating Code See Below

For RoHS compliance select ◇ plating code.

SPECIFY PLATING CODE XX=	10◇	90	40◇	
Pin Plating	0,25µ Au	5,08µ Sn/Pb	5,08µ Sn	