

Fig. 1

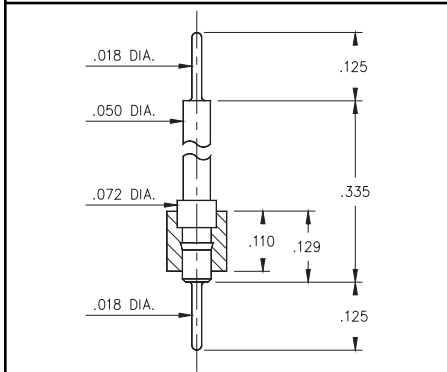


Fig. 2

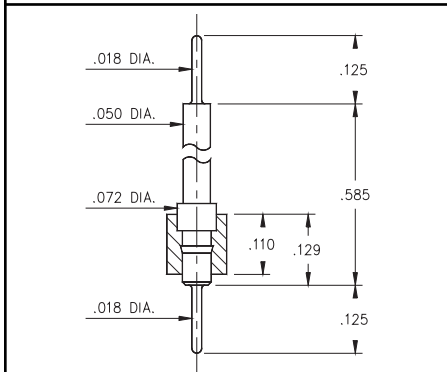


Fig. 3

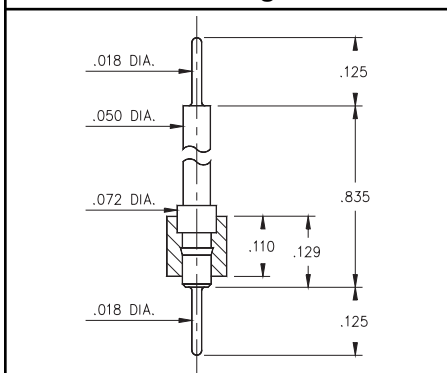


Fig. 4

- Series 342 Interconnect Header strips come in four heights with .018" dia. pluggable solder tails at both ends.

342...591 uses pin #4259-1 (L = .210")
 342...592 uses pin #4259-2 (L = .335")
 342...593 uses pin #4259-3 (L = .585")
 342...594 uses pin #4259-4 (L = .835")
 See pages 179 for details.

- Insulators are high temp. thermoplastic.



Ordering Information

Fig. 1	Series 342...591 .018 / .018 Solder Tails
	342-XX-1__-00-591000 Specify # of pins → 01-64
Fig. 2	Series 342...592 .018 / .018 Solder Tails
	342-XX-1__-00-592000 Specify # of pins → 01-64
Fig. 3	Series 342...593 .018 / .018 Solder Tails
	342-XX-1__-00-593000 Specify # of pins → 01-64
Fig. 4	Series 342...594 .018 / .018 Solder Tails
	342-XX-1__-00-594000 Specify # of pins → 01-64

For Electrical, Mechanical & Environmental Data, See pg. 4

XX=Plating Code See Below

For RoHS compliance select ◇ plating code.

SPECIFY PLATING CODE XX=	10◇	90	40◇	
Pin Plating	10μ" Au	200μ" Sn/Pb	200μ" Sn	