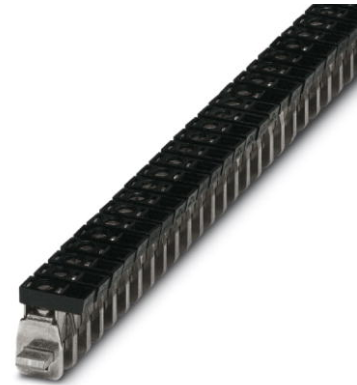


**AKG 16 BK**

Order No.: 0423030

<http://eshop.phoenixcontact.de/phoenix/treeViewClick.do?UID=0423030>

Power terminal block, Load current : 76 A, Cross section: 1.5 mm<sup>2</sup> - 16 mm<sup>2</sup>, Width: 10 mm, Color: black

**Commercial data**

|                          |                    |
|--------------------------|--------------------|
| EAN                      | 4017918002015      |
| Pack                     | 50 pcs.            |
| Customs tariff           | 85369010           |
| Weight/Piece             | 0.010521 KG        |
| Catalog page information | Page 711 (CL-2009) |

**Product notes**

WEEE/RoHS-compliant since:  
02/01/2005



<http://www.download.phoenixcontact.com>  
Please note that the data given here has been taken from the online catalog. For comprehensive information and data, please refer to the user documentation. The General Terms and Conditions of Use apply to Internet downloads.

**Technical data****General**

|                                    |       |
|------------------------------------|-------|
| Color                              | black |
| Insulating material                | PA    |
| Inflammability class acc. to UL 94 | V2    |

**Dimensions**

|        |         |
|--------|---------|
| Length | 23.5 mm |
| Width  | 10 mm   |

**Technical data**

|                                |  |
|--------------------------------|--|
| Maximum load current           | 76 A (with 16 mm <sup>2</sup> conductor cross section) |
| Nominal current I <sub>N</sub> | 76 A   |

**Connection data**

|   |                     |
|---|---------------------|
| Conductor cross section solid min.  | 1.5 mm <sup>2</sup> |
| Conductor cross section solid max.  | 16 mm <sup>2</sup>  |
| Conductor cross section stranded min.   | 1.5 mm <sup>2</sup> |
| Conductor cross section stranded max.   | 16 mm <sup>2</sup>  |
| Conductor cross section AWG/kcmil min.  | 16                  |
| Conductor cross section AWG/kcmil max   | 6                   |
| Conductor cross section stranded, with ferrule without plastic sleeve min.              | 1.5 mm <sup>2</sup> |
| Conductor cross section stranded, with ferrule without plastic sleeve max.              | 16 mm <sup>2</sup>  |
| Conductor cross section stranded, with ferrule with plastic sleeve min.                 | 1.5 mm <sup>2</sup> |
| Conductor cross section stranded, with ferrule with plastic sleeve max.                 | 16 mm <sup>2</sup>  |
| 2 conductors with same cross section, solid min.  | 1.5 mm <sup>2</sup> |
| 2 conductors with same cross section, solid max.  | 6 mm <sup>2</sup>   |
| 2 conductors with same cross section, stranded min.                                     | 1.5 mm <sup>2</sup> |
| 2 conductors with same cross section, stranded max.                                     | 6 mm <sup>2</sup>   |
| 2 conductors with same cross section, stranded, ferrules without plastic sleeve, min.   | 1.5 mm <sup>2</sup> |
| 2 conductors with same cross section, stranded, ferrules without plastic sleeve, max.   | 6 mm <sup>2</sup>   |
| 2 conductors with same cross section, stranded, TWIN ferrules with plastic sleeve, min. | 1.5 mm <sup>2</sup> |
| 2 conductors with same cross section, stranded, TWIN ferrules with plastic sleeve, max. | 10 mm <sup>2</sup>  |
| Stripping length  | 16 mm               |
| Screw thread  | M5                  |
| Tightening torque, min  | 2.5 Nm              |

|                       |      |
|-----------------------|------|
| Tightening torque max | 3 Nm |
|-----------------------|------|

### Certificates / Approvals



Certification

CSA, CUL, GOST, UL

#### CSA

|                       |      |
|-----------------------|------|
| Nominal current $I_N$ | 65 A |
|-----------------------|------|

|           |      |
|-----------|------|
| AWG/kcmil | 18-6 |
|-----------|------|

#### CUL

|                       |       |
|-----------------------|-------|
| Nominal voltage $U_N$ | 300 V |
|-----------------------|-------|

|                       |      |
|-----------------------|------|
| Nominal current $I_N$ | 50 A |
|-----------------------|------|

|           |      |
|-----------|------|
| AWG/kcmil | 18-6 |
|-----------|------|

#### UL

|                       |       |
|-----------------------|-------|
| Nominal voltage $U_N$ | 300 V |
|-----------------------|-------|

|                       |      |
|-----------------------|------|
| Nominal current $I_N$ | 50 A |
|-----------------------|------|

|           |      |
|-----------|------|
| AWG/kcmil | 18-6 |
|-----------|------|

### Accessories

| Item | Designation | Description |
|------|-------------|-------------|
|------|-------------|-------------|

#### Assembly

|         |       |  |
|---------|-------|--|
| 0404428 | AB/SS | Support made of insulating material, with retaining screw, for use with either 3 x 10 mm or 6 x 6 mm busbar, color: gray |
|---------|-------|--|

|         |        |  |
|---------|--------|--|
| 0404431 | AB2/SS | Double support, insulating material, optionally for use with 3 mm x 10 mm or 6 mm x 6 mm busbar, height: 48 mm |
|---------|--------|--|

|         |          |  |
|---------|----------|--|
| 0404460 | ABN 2/SS | Double support, insulating material, optionally for use with 3 mm x 10 mm or 6 mm x 6 mm busbar, height: 36.8 mm |
|---------|----------|--|

|         |                       |  |
|---------|-----------------------|--|
| 0402174 | NLS-CU 3/10 SN 1000MM | PEN conductor busbar, 3mm x 10 mm, length: 1000 mm |
|---------|-----------------------|--|

|         |       |                                   |
|---------|-------|-----------------------------------|
| 3032431 | UAB 1 | Support, Width: 2 mm, Color: blue |
|---------|-------|-----------------------------------|

#### Marking

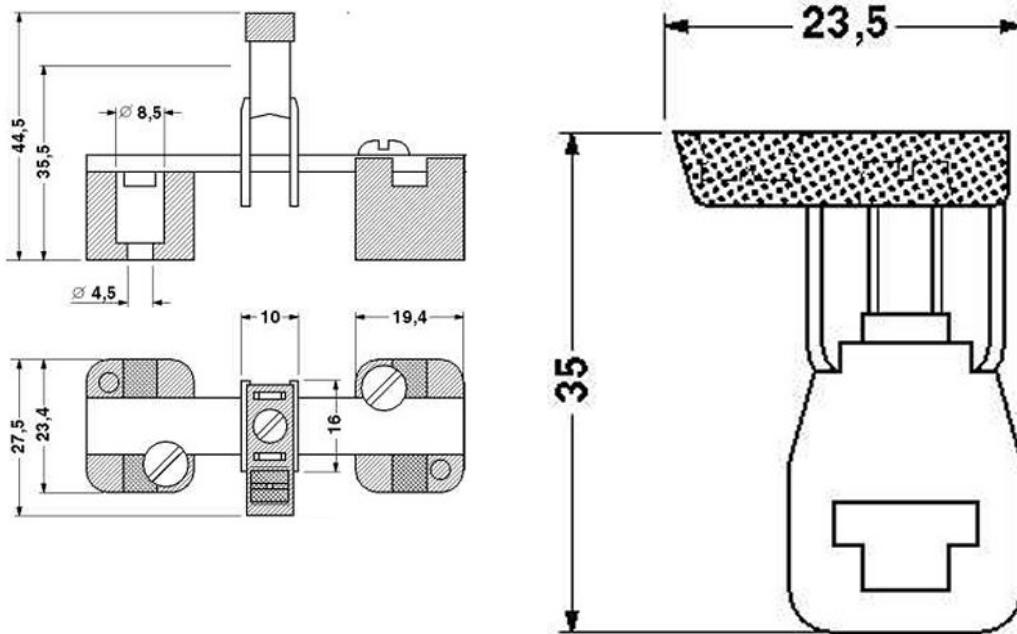
|         |                 |   |
|---------|-----------------|---|
| 1051003 | ZB 6:UNBEDRUCKT | Zack strip, unprinted, strips with 10 labels for individual labeling with M-PEN or CMS system, for terminal block width: 6.2 mm, color: white |
|---------|-----------------|---|

**Tools**

|         |             |   |
|---------|-------------|---|
| 1205066 | SZS 1,0X4,0 | Screwdriver, bladed, matches all screw terminal blocks with 10 mm <sup>2</sup> and 16 mm <sup>2</sup> connection cross section, blade: 1.0 x 4.0 mm |
| 1205079 | SZS 1,0X6,5 | Screwdriver, bladed, matches all screw terminal blocks with a connection cross section of over 16 mm <sup>2</sup> , blade: 1.0 x 6.5 mm             |

**Diagrams/Drawings**

Dimensioned drawing



**Address**

PHOENIX CONTACT Inc., USA  
586 Fulling Mill Road  
Middletown, PA 17057, USA  
Phone (800) 888-7388  
Fax (717) 944-1625  
<http://www.phoenixcon.com>



© 2010 Phoenix Contact  
Technical modifications reserved;