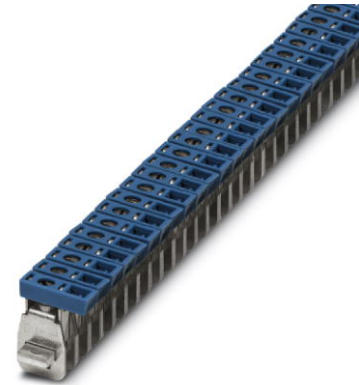


AKG 16 BU

Order No.: 0423014

<http://eshop.phoenixcontact.de/phoenix/treeViewClick.do?UID=0423014>Power terminal block, Load current : 76 A, Cross section: 1.5
mm² - 16 mm², Width: 10 mm, Color: blue**Commercial data**

EAN	4017918001995
Pack	50 pcs.
Customs tariff	85369010
Weight/Piece	0.01052 KG
Catalog page information	Page 711 (CL-2009)

Product notesWEEE/RoHS-compliant since:
02/01/2005

<http://www.download.phoenixcontact.com>
Please note that the data given here has been taken from the online catalog. For comprehensive information and data, please refer to the user documentation. The General Terms and Conditions of Use apply to Internet downloads.

Technical data**General**

Color	blue
Insulating material	PA
Inflammability class acc. to UL 94	V2

Dimensions

Length	23.5 mm
Width	10 mm

Technical data

Maximum load current	76 A (with 16 mm ² conductor cross section)
Nominal current I _N	76 A

Connection data

Conductor cross section solid min.	1.5 mm ²
Conductor cross section solid max.	16 mm ²
Conductor cross section stranded min.	1.5 mm ²
Conductor cross section stranded max.	16 mm ²
Conductor cross section AWG/kcmil min.	16
Conductor cross section AWG/kcmil max	6
Conductor cross section stranded, with ferrule without plastic sleeve min.	1.5 mm ²
Conductor cross section stranded, with ferrule without plastic sleeve max.	16 mm ²
Conductor cross section stranded, with ferrule with plastic sleeve min.	1.5 mm ²
Conductor cross section stranded, with ferrule with plastic sleeve max.	16 mm ²
2 conductors with same cross section, solid min.	1.5 mm ²
2 conductors with same cross section, solid max.	6 mm ²
2 conductors with same cross section, stranded min.	1.5 mm ²
2 conductors with same cross section, stranded max.	6 mm ²
2 conductors with same cross section, stranded, ferrules without plastic sleeve, min.	1.5 mm ²
2 conductors with same cross section, stranded, ferrules without plastic sleeve, max.	6 mm ²
2 conductors with same cross section, stranded, TWIN ferrules with plastic sleeve, min.	1.5 mm ²
2 conductors with same cross section, stranded, TWIN ferrules with plastic sleeve, max.	10 mm ²
Stripping length	16 mm
Screw thread	M5
Tightening torque, min	2.5 Nm

Tightening torque max	3 Nm
-----------------------	------

Certificates / Approvals



Certification CSA, CUL, GOST, UL

CSA

Nominal current I_N	65 A
AWG/kcmil	18-6

CUL

Nominal voltage U_N	300 V
Nominal current I_N	50 A
AWG/kcmil	18-6

UL

Nominal voltage U_N	300 V
Nominal current I_N	50 A
AWG/kcmil	18-6

Accessories

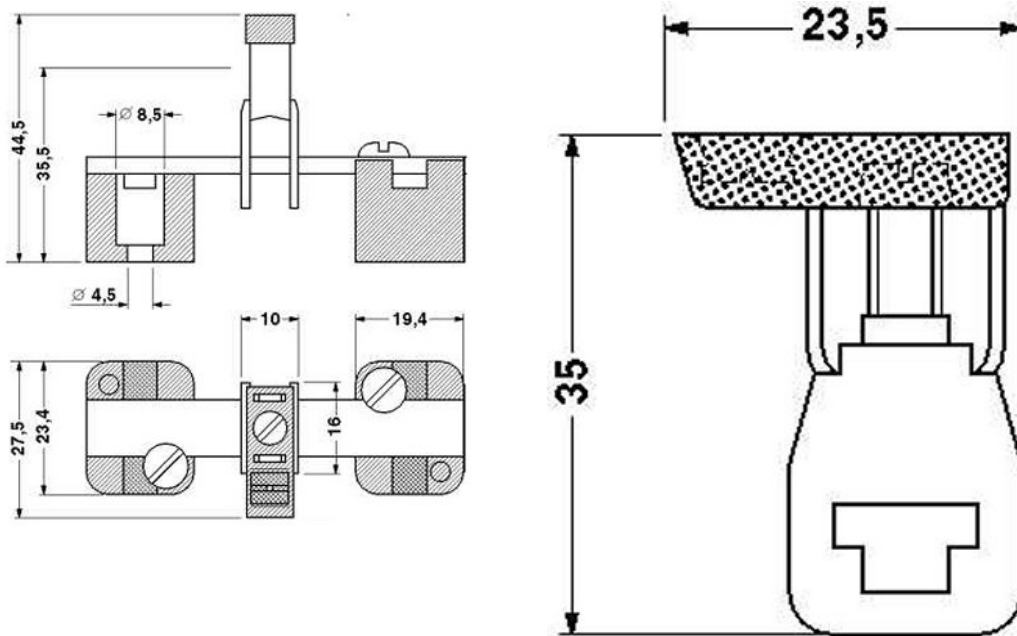
Item	Designation	Description
Assembly		
0404428	AB/SS	Support made of insulating material, with retaining screw, for use with either 3 x 10 mm or 6 x 6 mm busbar, color: gray
0404431	AB2/SS	Double support, insulating material, optionally for use with 3 mm x 10 mm or 6 mm x 6 mm busbar, height: 48 mm
0404460	ABN 2/SS	Double support, insulating material, optionally for use with 3 mm x 10 mm or 6 mm x 6 mm busbar, height: 36.8 mm
0402174	NLS-CU 3/10 SN 1000MM	PEN conductor busbar, 3mm x 10 mm, length: 1000 mm
3032431	UAB 1	Support, Width: 2 mm, Color: blue
Marking		
1051003	ZB 6:UNBEDRUCKT	Zack strip, unprinted, strips with 10 labels for individual labeling with M-PEN or CMS system, for terminal block width: 6.2 mm, color: white

Tools

1205066	SZS 1,0X4,0	Screwdriver, bladed, matches all screw terminal blocks with 10 mm ² and 16 mm ² connection cross section, blade: 1.0 x 4.0 mm
1205066	SZS 1,0X4,0	Screwdriver, bladed, matches all screw terminal blocks with 10 mm ² and 16 mm ² connection cross section, blade: 1.0 x 4.0 mm

Diagrams/Drawings

Dimensioned drawing



Address

PHOENIX CONTACT Inc., USA
586 Fulling Mill Road
Middletown, PA 17057, USA
Phone (800) 888-7388
Fax (717) 944-1625
<http://www.phoenixcon.com>



© 2010 Phoenix Contact
Technical modifications reserved;