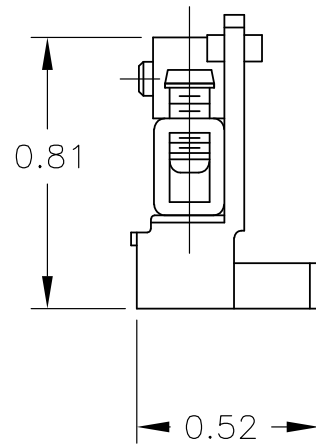
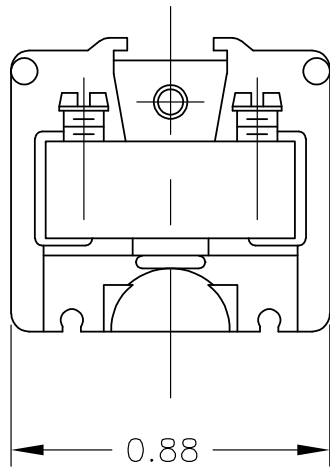
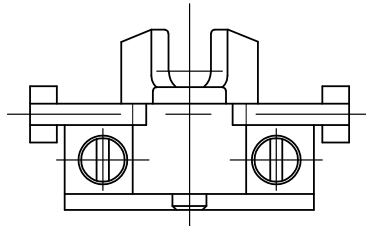


| LOC | DIST | REVISIONS | | | | | |
|-----|------|-----------|-----|---------------------------|---------|-----|------|
| | | P | LTR | DESCRIPTION | DATE | DWN | APVD |
| — | — | | A | REDRAWN PER ECO-08-023052 | 29SEP08 | HMR | SM |

△ 1 MATERIAL: POLYPROPYLENE



THIS DRAWING IS UNPUBLISHED.
 RELEASED FOR PUBLICATION
 ALL INTERNATIONAL RIGHTS RESERVED.
 BY TYCO ELECTRONICS CORPORATION.
 © COPYRIGHT

| | | | | | | | |
|---|------------------|-------------|-----------|--|------------|---------------|-------|
| DIMENSIONS: INCHES TOLERANCES UNLESS OTHERWISE SPECIFIED: 0 PLC ± - 1 PLC ± - 2 PLC ± - 3 PLC ± .005 4 PLC ± - ANGLES ± 0° 15' | DWN | RAGHAVENDRA | 29SEP08 | MATERIAL | △ 1 | FINISH | - |
| | CHK | MACE SAM | 29SEP08 | Tyco Electronics Corporation Harrisburg, PA 17105-3608 | | | |
| | APVD | MACE SAM | 29SEP08 | NAME CONTACT SECTION AND TUBULAR CONTACT ASS'Y. MIN TERM BLOCK | | | |
| | PRODUCT SPEC | - | | | | | |
| | APPLICATION SPEC | - | | | | | |
| | WEIGHT | - | | | | | |
| | SIZE | A4 | CAGE CODE | 00779 | DRAWING NO | C-4-1437392-7 | |
| | CUSTOMER DRAWING | | | RESTRICTED TO | - | | |
| | SCALE | 2:1 | | SHEET | 1 OF 1 | | REV A |