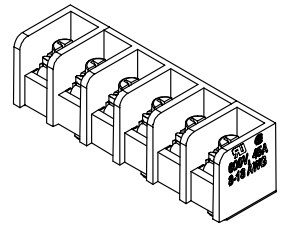
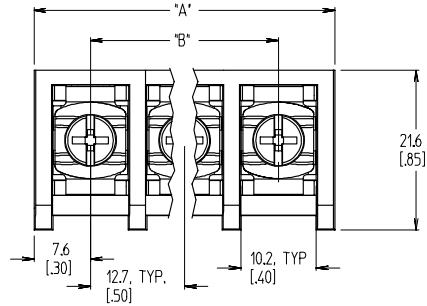
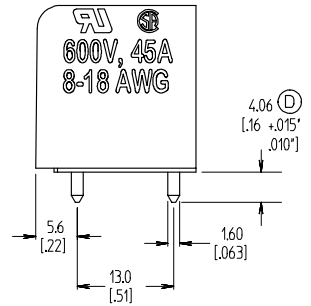
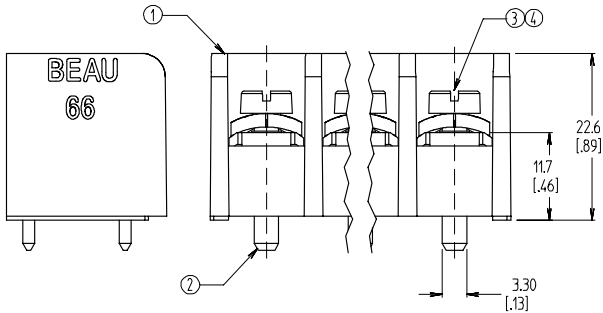


VIEW SCALE 1:1



6 CIRCUIT SHOWN ACTUAL SIZE



| MATERIAL NUMBER, OPT GOLD (-04) | MATERIAL NUMBER (STD PART) | OLD CATALOG NUMBER REFERENCE | NUMBER OF CIRCUITS "XX" | A            | B              |
|---------------------------------|----------------------------|------------------------------|-------------------------|--------------|----------------|
| 38669-0004                      | 38660-7802                 | 38669-0001                   | 2                       | 27.9 [1.10]  | 12.70 [5.00]   |
| 38669-0006                      | 38660-7803                 | 38669-0003                   | 3                       | 40.6 [1.60]  | 25.40 [1.000]  |
|                                 | 38660-7804                 | 38669-0005                   | 4                       | 53.3 [2.10]  | 38.10 [1.500]  |
|                                 | 38660-7805                 | 38669-0007                   | 5                       | 66.0 [2.60]  | 50.80 [2.000]  |
|                                 | 38660-7806                 | 38669-0008                   | 6                       | 78.7 [3.10]  | 63.50 [2.500]  |
|                                 | 38660-7807                 |                              | 7                       | 91.4 [3.60]  | 76.20 [3.000]  |
|                                 | 38660-7808                 |                              | 8                       | 104.1 [4.10] | 88.90 [3.500]  |
|                                 | 38660-7809                 | 38669-0009                   | 9                       | 116.8 [4.60] | 101.60 [4.000] |
|                                 | 38660-7810                 |                              | 10                      | 129.5 [5.10] | 114.30 [4.500] |
|                                 | 38660-7811                 |                              | 11                      | 142.2 [5.60] | 127.00 [5.000] |
|                                 | 38660-7812                 |                              | 12                      | 154.9 [6.10] | 139.70 [5.500] |
|                                 | 38660-7813                 |                              | 13                      | 167.6 [6.60] | 152.40 [6.000] |
|                                 | 38660-7814                 |                              | 14                      | 180.3 [7.10] | 165.10 [6.500] |
|                                 | 38660-7815                 |                              | 15                      | 193.0 [7.60] | 177.80 [7.000] |

NOTES:

1. MATERIAL: SEE TABLE
2. FINISHES: SEE TABLE
3. PRODUCT SPECIFICATION: NOT REQUIRED
4. PACKAGING: NOT REQUIRED
5. MATES WITH: NONE
6. "XX" - REFERS TO THE NUMBER OF CIRCUIT POSITIONS
7. INCH DIMENSIONS ARE SHOWN IN BRACKETS [XXX].
8. ALL COMPONENTS ARE ROHS COMPLIANT.

|   |                               |                                       |                       |                          |                     |   |  |                        |
|---|-------------------------------|---------------------------------------|-----------------------|--------------------------|---------------------|---|--|------------------------|
| UPDATE TAIL TOL.<br>EC NO: ETC2007-0428<br>DRAWN: ENCINAS 2007/06/04<br>CHKD: ENCINAS 2007/06/10<br>APPR: JMACNETL 2007/06/11 | QUALITY SYMBOLS<br>▽=0<br>▽=0 | GENERAL TOLERANCES (UNLESS SPECIFIED) |                       | DIMENSION STYLE<br>MM/IN |                     | SCALE<br>2:1  | DESIGN UNITS<br>INCH   | THIRD ANGLE PROJECTION |
|   |                               | 4 PLACES ± --- ± ---                  | 3 PLACES ± --- ± .005 | 2 PLACES ± 0.13 ± .01    | 1 PLACE ± 0.3 ± --- | ANGULAR ± 2 °   | DRAWN BY R. KEMP DATE 2002/08/14<br>CHECKED BY R. STONE DATE 2002/08/15<br>APPROVED BY L. ROTHBAUS DATE 2002/08/16 |                        |
| DRAFT WHERE APPLICABLE MUST REMAIN WITHIN DIMENSIONS  |                               | MATERIAL NO.                          |                       | SEE CHART                |                     | TITLE<br>SR BTS,<br>12.70 [5.00] PITCH,<br>PC, NO MTG ASSY  |  |                        |
| ITEM QTY DESCRIPTION  |                               | MATERIAL FINISH                       |                       | DOCUMENT NO.             |                     | MOLEX INCORPORATED<br>SD-38669-001  |  |                        |
|   |                               |                                       |                       | SIZE B                   |                     | STEEY NO. 1 OF 1  |  |                        |
|   |                               |                                       |                       |                          |                     | THIS DRAWING CONTAINS INFORMATION THAT IS PROPRIETARY TO MOLEX INCORPORATED AND SHOULD NOT BE USED WITHOUT WRITTEN PERMISSION |  |                        |