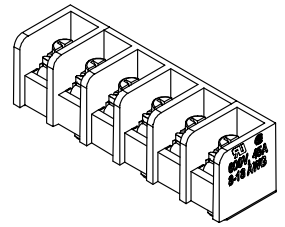
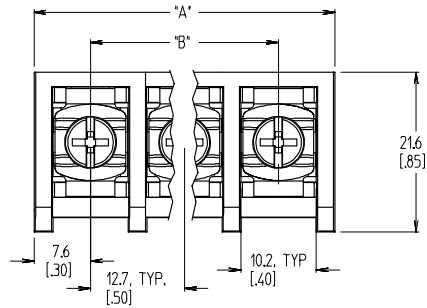
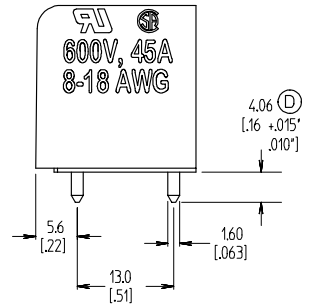
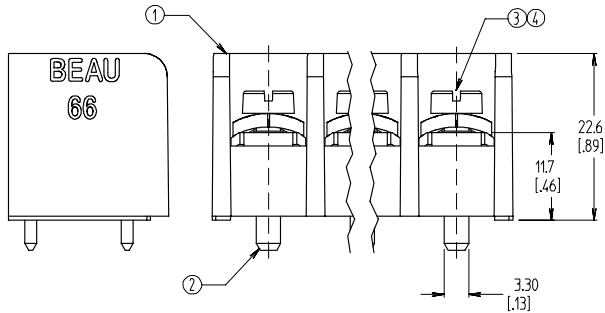


VIEW SCALE 1:1



6 CIRCUIT SHOWN ACTUAL SIZE



MATERIAL NUMBER, OPT GOLD (-04)	MATERIAL NUMBER (STD PART)	OLD CATALOG NUMBER REFERENCE	NUMBER OF CIRCUITS "XX"	A	B
38669-0004	38660-7802	38669-0001	2	27.9 [1.10]	12.70 [5.00]
38669-0006	38660-7803	38669-0003	3	40.6 [1.60]	25.40 [1.000]
	38660-7804	38669-0005	4	53.3 [2.10]	38.10 [1.500]
	38660-7805	38669-0007	5	66.0 [2.60]	50.80 [2.000]
	38660-7806	38669-0008	6	78.7 [3.10]	63.50 [2.500]
	38660-7807		7	91.4 [3.60]	76.20 [3.000]
	38660-7808		8	104.1 [4.10]	88.90 [3.500]
	38660-7809	38669-0009	9	116.8 [4.60]	101.60 [4.000]
	38660-7810		10	129.5 [5.10]	114.30 [4.500]
	38660-7811		11	142.2 [5.60]	127.00 [5.000]
	38660-7812		12	154.9 [6.10]	139.70 [5.500]
	38660-7813		13	167.6 [6.60]	152.40 [6.000]
	38660-7814		14	180.3 [7.10]	165.10 [6.500]
	38660-7815		15	193.0 [7.60]	177.80 [7.000]

NOTES:

1. MATERIAL: SEE TABLE
2. FINISHES: SEE TABLE
3. PRODUCT SPECIFICATION: NOT REQUIRED
4. PACKAGING: NOT REQUIRED
5. MATES WITH: NONE
6. "XX" - REFERS TO THE NUMBER OF CIRCUIT POSITIONS
7. INCH DIMENSIONS ARE SHOWN IN BRACKETS [XXX].
8. ALL COMPONENTS ARE ROHS COMPLIANT.

ITEM	QTY	DESCRIPTION	MATERIAL	FINISH
4	XX	SCREW	STEEL	ZN/YELLOW CHROMATE
3	XX	SCREW	STEEL	GOLD
2	XX	TERMINAL	RED BRASS	TIN OVER COPPER
1	1	INSULATOR	THERMOPLASTIC	BLACK
			MATERIAL	FINISH

UPDATE TAIL TOL. EC NO: ETC2007-0428 DRAWN: ENCINAS 2007/06/04 CHECKED: ENCINAS 2007/06/10 APPR: JMACNETL 2007/06/11	QUALITY SYMBOLS	GENERAL TOLERANCES (UNLESS SPECIFIED)	DIMENSION STYLE	SCALE	DESIGN UNITS	THIRD ANGLE PROJECTION
	▽=0 ▽=0	mm INCH 4 PLACES ± --- ± --- 3 PLACES ± --- ± .005 2 PLACES ± 0.13 ± .01 1 PLACE ± 0.3 ± --- ANGULAR ± 2 °	MM/IN	2:1	INCH	
	DESCRIPTION	DRAFT WHERE APPLICABLE MUST REMAIN WITHIN DIMENSIONS	DRAWN BY	DATE	TITLE	
	REV		R. KEMP	2002/08/14	SR BTS, 12.70 [5.00] PITCH, PC, NO MTG ASSY	
			CHECKED BY	DATE		
			R. STONE	2002/08/15		
			APPROVED BY	DATE		
			L. ROTHHAUS	2002/08/16		
			MATERIAL NO.	DOCUMENT NO.		
			SEE CHART		MOLEX INCORPORATED	
			SIZE		SD-38669-001	STEEY NO.
						1 OF 1