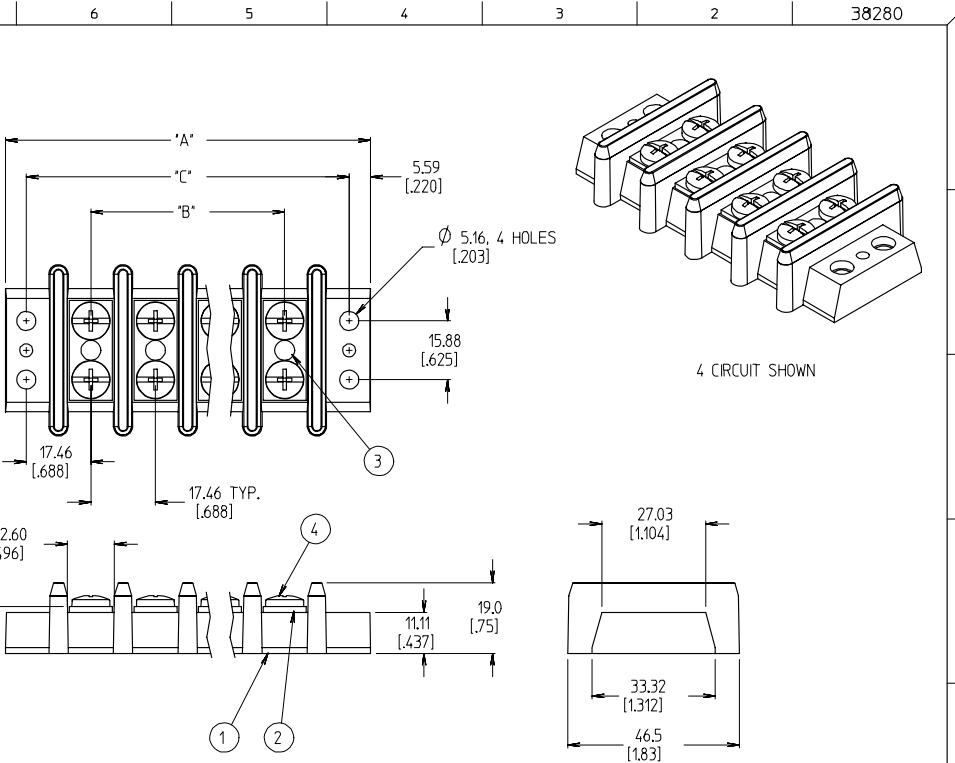


QTY. OF CIRC. 'XX'	DM. 'A'	DM. 'B'	DM. 'C'	ASSEMBLY MATERIAL # (STANDARD)	ASSEMBLY MATERIAL # (-58 OPTION)
02	63.6 [2.50]	17.46 [.688]	52.39 [2.063]	38280-0102	38280-0402
03	81.0 [3.19]	34.93 [1.375]	69.85 [2.750]	38280-0103	38280-0403
04	98.5 [3.88]	52.39 [2.063]	87.31 [3.438]	38280-0104	38280-0404
05	116.0 [4.57]	69.85 [2.750]	104.78 [4.125]	38280-0105	38280-0405
06	133.4 [5.25]	87.31 [3.438]	122.24 [4.813]	38280-0106	38280-0406
07	150.9 [5.94]	104.78 [4.125]	139.70 [5.500]	38280-0107	38280-0407
08	168.3 [6.63]	122.24 [4.813]	157.16 [6.188]	38280-0108	38280-0408
09	185.8 [7.32]	139.70 [5.500]	174.63 [6.875]	38280-0109	38280-0409
10	203.3 [8.00]	157.16 [6.188]	192.09 [7.563]	38280-0110	38280-0410
11	220.7 [8.69]	174.63 [6.875]	209.55 [8.250]	38280-0111	38280-0411
12	238.2 [9.38]	192.09 [7.563]	227.01 [8.938]	38280-0112	38280-0412



- NOTES:
1. MATERIAL: SEE TABLE
 2. FINISHES: SEE TABLE
 3. PRODUCT SPECIFICATION: NOT REQUIRED
 4. PACKAGING: NOT REQUIRED
 5. MATES WITH: NONE
 6. 'XX' REFERS TO THE QUANTITY OF CIRCUITS.
 7. -58 OPTION: DO NOT SUPPLY SCREWS.
 8. INCH DIMENSIONS ARE SHOWN IN BRACKETS [XXX].
 9. ALL COMPONENTS ARE ROHS COMPLIANT.

ITEM	QTY	DESCRIPTION	MATERIAL	FINISH
4	XX*2	SCREW, #10-32, DOG PNT, PHIL-SLOT	BRASS	NICKEL
3	XX	RIVET, SEMI-TUBE	BRASS	ZN, CLEAR CHROMATE
2	XX	TERMINAL, EYELET, TWIN	BRASS	BRIGHT NICKEL
1	1	INSULATOR, DR, AS MOLDED	PHENOLIC	BLACK

ADDITIONAL NOTES: -58 OPTION EC NO: ETC2006-0510 DRAWN BY: DRW:HEILLE CHECKED BY: CHY:CHERROSS APPR: JMACNELL 2006/06/22 2006/07/13 2006/07/13	QUALITY SYMBOLS ▽=0 ▽=0	GENERAL TOLERANCES (UNLESS SPECIFIED) <table border="1"> <tr><th></th><th>mm</th><th>INCH</th></tr> <tr><td>4 PLACES</td><td>± ---</td><td>±.0015</td></tr> <tr><td>3 PLACES</td><td>± 0.038</td><td>±.005</td></tr> <tr><td>2 PLACES</td><td>± 0.13</td><td>±.01</td></tr> <tr><td>1 PLACE</td><td>± 0.3</td><td>± ---</td></tr> </table> ANGULAR ± 2 °		mm	INCH	4 PLACES	± ---	±.0015	3 PLACES	± 0.038	±.005	2 PLACES	± 0.13	±.01	1 PLACE	± 0.3	± ---	DIMENSION STYLE: MM/IN DRAWN BY: R. KEMP CHECKED BY: R. STONE APPROVED BY: P. WALTZ DATE: 2003/05/09 DATE: 2003/05/12 DATE: 2003/05/13	SCALE: 1:1 DESIGN UNITS: INCH THIRD ANGLE PROJECTION	TITLE: 17.46MM [.688] DR BTS, PHENOLIC ASSY MOLEX INCORPORATED DOCUMENT NO. SD-38280-001 MATERIAL NO. SEE CHART SIZE B	STEEL NO. 1 OF 1
		mm	INCH																		
4 PLACES	± ---	±.0015																			
3 PLACES	± 0.038	±.005																			
2 PLACES	± 0.13	±.01																			
1 PLACE	± 0.3	± ---																			
DRAFT WHERE APPLICABLE MUST REMAIN WITHIN DIMENSIONS THIS DRAWING CONTAINS INFORMATION THAT IS PROPRIETARY TO MOLEX INCORPORATED AND SHOULD NOT BE USED WITHOUT WRITTEN PERMISSION																					