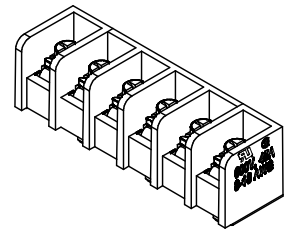
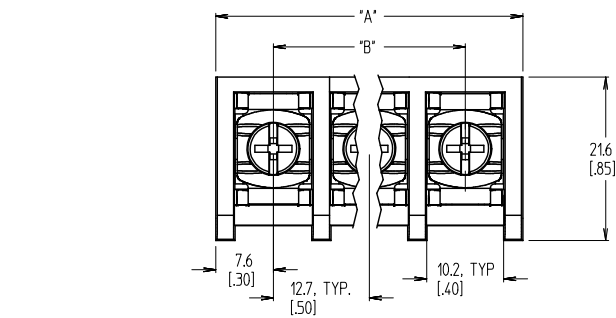


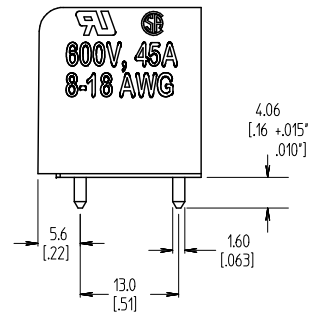
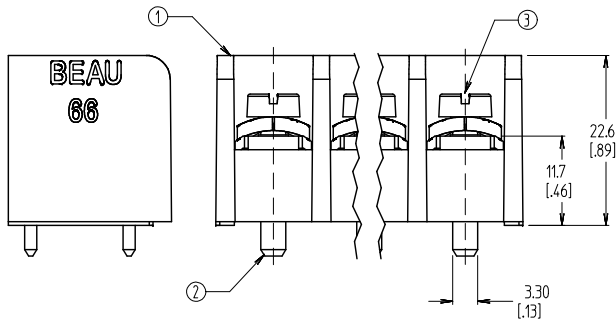
| MATERIAL NUMBER (STD PART) | NUMBER OF CIRCUITS *XX* | A | B |
|----------------------------|-------------------------|--------------|----------------|
| 38660-8802 | 2 | 27.9 [1.10] | 12.70 [0.500] |
| 38660-8803 | 3 | 40.6 [1.60] | 25.40 [1.000] |
| 38660-8804 | 4 | 53.3 [2.10] | 38.10 [1.500] |
| 38660-8805 | 5 | 66.0 [2.60] | 50.80 [2.000] |
| 38660-8806 | 6 | 78.7 [3.10] | 63.50 [2.500] |
| 38660-8807 | 7 | 91.4 [3.60] | 76.20 [3.000] |
| 38660-8808 | 8 | 104.1 [4.10] | 88.90 [3.500] |
| 38660-8809 | 9 | 116.8 [4.60] | 101.60 [4.000] |
| 38660-8810 | 10 | 129.5 [5.10] | 114.30 [4.500] |
| 38660-8811 | 11 | 142.2 [5.60] | 127.00 [5.000] |
| 38660-8812 | 12 | 154.9 [6.10] | 139.70 [5.500] |
| 38660-8813 | 13 | 167.6 [6.60] | 152.40 [6.000] |
| 38660-8814 | 14 | 180.3 [7.10] | 165.10 [6.500] |
| 38660-8815 | 15 | 193.0 [7.60] | 177.80 [7.000] |

NOTES:

1. MATERIAL: SEE TABLE
2. FINISHES: SEE TABLE
3. *XX* - REFERS TO THE NUMBER OF CIRCUIT POSITIONS.
4. INCH DIMENSIONS ARE SHOWN IN BRACKETS [XXX].
5. ASSEMBLY IS ROHS COMPLIANT.



6 CIRCUIT SHOWN ACTUAL SIZE



| QUALITY SYMBOLS | GENERAL TOLERANCES (UNLESS SPECIFIED) | | DIMENSION STYLE | SCALE | DESIGN UNITS | THIRD ANGLE PROJECTION |
|---|--|-------|-----------------|--------------|--------------|---|
| | mm | INCH | MM/IN | 1:1 | INCH | |
| ▽=0 | 4 PLACES ± --- ± --- | ± --- | DRAWN BY | DATE | TITLE | SR BTS, 12.70/500 PITCH PC, NO MTG ASSY, ROHS COMPLIANT |
| ▽=0 | 3 PLACES ± --- ± .005 | ± --- | C. YORK | 2008/09/08 | | |
| | 2 PLACES ± 0.13 ± .01 | ± --- | CHECKED BY | DATE | | |
| | 1 PLACE ± 0.3 ± --- | ± --- | R. DEROSS | 2008/09/08 | | |
| | ANGULAR ± 2 ° | | APPROVED BY | DATE | | MOLEX INCORPORATED |
| | DRAFT WHERE APPLICABLE MUST REMAIN WITHIN DIMENSIONS | | R. DEROSS | 2008/09/08 | | |
| | | | MATERIAL NO. | DOCUMENT NO. | | SHEET NO. |
| | | | SEE CHART | SD-38660-003 | | 1 OF 1 |
| THIS DRAWING CONTAINS INFORMATION THAT IS PROPRIETARY TO MOLEX INCORPORATED AND SHOULD NOT BE USED WITHOUT WRITTEN PERMISSION | | | | | | |

| ITEM | QTY | DESCRIPTION | MATERIAL | FINISH |
|------|-----|-------------|-----------------|--------------------|
| 3 | XX | SCREW | STEEL | ZN/YELLOW CHROMATE |
| 2 | XX | TERMINAL | RED BRASS | TIN OVER COPPER |
| 1 | 1 | INSULATOR | POLYESTER (PBT) | BLACK |