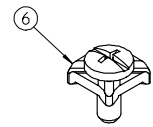
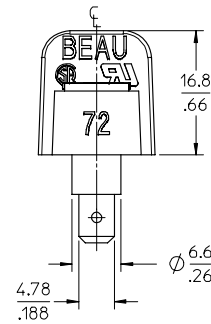
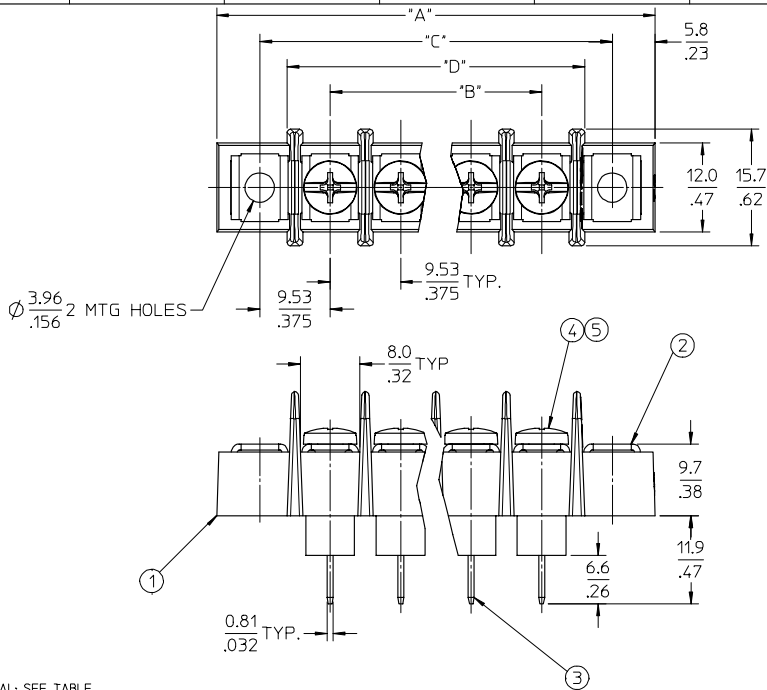


4 CIRCUIT SHOWN



REF. -50 OPT. SCREW
(WHERE APPLICABLE)



- NOTES:
1. MATERIAL: SEE TABLE
 2. FINISHES: SEE TABLE
 3. PRODUCT SPECIFICATION: NOT REQUIRED
 4. PACKAGING: NOT REQUIRED
 5. MATES WITH: N/A
 6. "XX" REFERS TO THE QUANTITY OF CIRCUITS.

| ITEM | QTY. | DESCRIPTION | MATERIAL | FINISH |
|------|------|--|-------------|--------------------|
| 6 | XX | SCREW&WASHER, #6-32X.250 PAN, PH-SL, -50 | STEEL | ZN, CLEAR CHROMATE |
| 5 | XX | SCREW, #6-32X.250 BHD, PHIL-SLOT, -49 | BRASS | NICKEL PLATE |
| 4 | XX | SCREW, #6-32X.250 BHD, PHIL-SLOT (STD) | STEEL | ZN, CLEAR CHROMATE |
| 3 | XX | TERMINAL, FAST TAB, STYLE 9, SNVB | BRASS | TIN PLATE |
| 2 | 2 | PLATE, MOUNTING, NI | BRASS | NICKEL PLATE |
| 1 | 1 | INSULATOR, 9.53MM, SR BTS, INSUL. BASE | PBT, 30% GF | BLACK |

| REV | DESCRIPTION | QUALITY SYMBOLS | GENERAL TOLERANCES (UNLESS SPECIFIED) | DIMENSION STYLE | SCALE | DESIGN UNITS | THIRD ANGLE PROJECTION | | | | | | | | | | | | | | | |
|---|---|-----------------|---|--|---|--------------|------------------------|--------|---------|----------|--------|-------|----------|--------|-------|---------|--------|---------|-------|-----|------|---|
| 1 | RELEASED EC NO: EITC2006-0262 DRAWN: YORK CHKD: RDEROSS APPR: RDEROSS | ▽=0 ▽=0 | <table border="1"> <tr> <th></th> <th>mm</th> <th>INCH</th> </tr> <tr> <td>4 PLACES</td> <td>± .005</td> <td>± .0002</td> </tr> <tr> <td>3 PLACES</td> <td>± 0.13</td> <td>± .01</td> </tr> <tr> <td>2 PLACES</td> <td>± 0.25</td> <td>± .01</td> </tr> <tr> <td>1 PLACE</td> <td>± .005</td> <td>± .0002</td> </tr> </table> | | mm | INCH | 4 PLACES | ± .005 | ± .0002 | 3 PLACES | ± 0.13 | ± .01 | 2 PLACES | ± 0.25 | ± .01 | 1 PLACE | ± .005 | ± .0002 | MM/IN | 2:1 | INCH | ☉ |
| | mm | INCH | | | | | | | | | | | | | | | | | | | | |
| 4 PLACES | ± .005 | ± .0002 | | | | | | | | | | | | | | | | | | | | |
| 3 PLACES | ± 0.13 | ± .01 | | | | | | | | | | | | | | | | | | | | |
| 2 PLACES | ± 0.25 | ± .01 | | | | | | | | | | | | | | | | | | | | |
| 1 PLACE | ± .005 | ± .0002 | | | | | | | | | | | | | | | | | | | | |
| DRAFT WHERE APPLICABLE MUST REMAIN WITHIN DIMENSIONS | | | | DRAWN BY: C. YORK CHECKED BY: RDEROSS APPROVED BY: RDEROSS DATE: 2006/02/16 DATE: 2006/02/16 DATE: 2006/02/16 | TITLE: 9.53 [.375] SR BTS ASY, INSUL. FT, W/MTG | | SHEET NO. 1 OF 2 | | | | | | | | | | | | | | | |
| | | | | MATERIAL NO. SEE SHEET 2 | DOCUMENT NO. SD-38721-002 | | | | | | | | | | | | | | | | | |
| THIS DRAWING CONTAINS INFORMATION THAT IS PROPRIETARY TO MOLEX INCORPORATED AND SHOULD NOT BE USED WITHOUT WRITTEN PERMISSION | | | | | | | | | | | | | | | | | | | | | | |

| NUMBER OF CIRCUITS 'XX' | DIM. 'A' | | DIM. 'B' | | DIM. 'C' | | DIM. 'D' | | ASSEMBLY MATERIAL NO. (STD) | ASSEMBLY MATERIAL NO. (OPT -49) | ASSEMBLY MATERIAL NO. (OPT -50) |
|-------------------------|----------|---------|----------|---------|----------|----------|----------|--------|-----------------------------|---------------------------------|---------------------------------|
| 02 | 40.2 | [1.58] | 9.53 | [.375] | 28.58 | [1.125] | 21.1 | [.83] | 387216702 | 387217002 | 387217302 |
| 03 | 49.7 | [1.96] | 19.05 | [.750] | 38.10 | [1.500] | 30.7 | [1.21] | 387216703 | 387217003 | 387217303 |
| 04 | 59.2 | [2.33] | 28.58 | [1.125] | 47.63 | [1.875] | 40.2 | [1.58] | 387216704 | 387217004 | 387217304 |
| 05 | 68.7 | [2.71] | 38.10 | [1.500] | 57.15 | [2.250] | 49.7 | [1.96] | 387216705 | 387217005 | 387217305 |
| 06 | 78.3 | [3.08] | 47.63 | [1.875] | 66.68 | [2.625] | 59.2 | [2.33] | 387216706 | 387217006 | 387217306 |
| 07 | 87.8 | [3.46] | 57.15 | [2.250] | 76.20 | [3.000] | 68.8 | [2.71] | 387216707 | 387217007 | 387217307 |
| 08 | 97.3 | [3.83] | 66.68 | [2.625] | 85.73 | [3.375] | 78.3 | [3.08] | 387216708 | 387217008 | 387217308 |
| 09 | 106.8 | [4.21] | 76.20 | [3.000] | 95.25 | [3.750] | 87.8 | [3.46] | 387216709 | 387217009 | 387217309 |
| 10 | 116.4 | [4.58] | 85.73 | [3.375] | 104.78 | [4.125] | 97.3 | [3.83] | 387216710 | 387217010 | 387217310 |
| 11 | 125.9 | [4.96] | 95.25 | [3.750] | 114.30 | [4.500] | 106.9 | [4.21] | 387216711 | 387217011 | 387217311 |
| 12 | 135.4 | [5.33] | 104.78 | [4.125] | 123.83 | [4.875] | 116.4 | [4.58] | 387216712 | 387217012 | 387217312 |
| 13 | 144.9 | [5.71] | 114.30 | [4.500] | 133.35 | [5.250] | 125.9 | [4.96] | 387216713 | 387217013 | 387217313 |
| 14 | 154.5 | [6.08] | 123.83 | [4.875] | 142.88 | [5.625] | 135.4 | [5.33] | 387216714 | 387217014 | 387217314 |
| 15 | 164.0 | [6.46] | 133.35 | [5.250] | 152.40 | [6.000] | 145.0 | [5.71] | 387216715 | 387217015 | 387217315 |
| 16 | 173.5 | [6.83] | 142.88 | [5.625] | 161.93 | [6.375] | 154.5 | [6.08] | 387216716 | 387217016 | 387217316 |
| 17 | 183.0 | [7.21] | 152.40 | [6.000] | 171.45 | [6.750] | 164.0 | [6.46] | 387216717 | 387217017 | 387217317 |
| 18 | 192.6 | [7.58] | 161.93 | [6.375] | 180.98 | [7.125] | 173.5 | [6.83] | 387216718 | 387217018 | 387217318 |
| 19 | 202.1 | [7.96] | 171.45 | [6.750] | 190.50 | [7.500] | 183.1 | [7.21] | 387216719 | 387217019 | 387217319 |
| 20 | 211.6 | [8.33] | 180.98 | [7.125] | 200.03 | [7.875] | 192.6 | [7.58] | 387216720 | 387217020 | 387217320 |
| 21 | 221.1 | [8.71] | 190.50 | [7.500] | 209.55 | [8.250] | 202.1 | [7.96] | 387216721 | 387217021 | 387217321 |
| 22 | 230.7 | [9.08] | 200.03 | [7.875] | 219.08 | [8.625] | 211.6 | [8.33] | 387216722 | 387217022 | 387217322 |
| 23 | 240.2 | [9.46] | 209.55 | [8.250] | 228.60 | [9.000] | 221.2 | [8.71] | 387216723 | 387217023 | 387217323 |
| 24 | 249.7 | [9.83] | 219.08 | [8.625] | 238.13 | [9.375] | 230.7 | [9.08] | 387216724 | 387217024 | 387217324 |
| 25 | 259.2 | [10.21] | 228.60 | [9.000] | 247.65 | [9.750] | 240.2 | [9.46] | 387216725 | 387217025 | 387217325 |
| 26 | 268.8 | [10.58] | 238.13 | [9.375] | 257.18 | [10.125] | 249.7 | [9.83] | 387216726 | 387217026 | 387217326 |

NOTES:
1. INCH DIMENSIONS SHOWN IN BRACKETS [XX].

| | | | | | | | | | |
|--|-------------------------------|--|------------------------|--------------------------|--------------------|--|------------------------------|------------------------|--|
| SEE SHEET 1 EC NO: ETC2006-0262 DRAWN BY: C. YORK CHECKED BY: RDEROSS APPROVED BY: RDEROSS DATE: 2006/02/16 DATE: 2006/02/16 DATE: 2006/02/16 | QUALITY SYMBOLS ▽=0 ▽=0 | GENERAL TOLERANCES (UNLESS SPECIFIED) | | DIMENSION STYLE MM/IN | | SCALE 1:1 | DESIGN UNITS INCH | THIRD ANGLE PROJECTION | |
| | | 4 PLACES ± --- ±.0002 | 3 PLACES ± 0.005 ±.005 | DRAWN BY C. YORK | DATE 2006/02/16 | TITLE 9.53 [.375] SR BTS ASY, INSUL. FT. W/MTG | | | |
| | | 2 PLACES ± 0.13 ±.01 | 1 PLACE ± 0.25 ± --- | CHECKED BY RDEROSS | DATE 2006/02/16 | MOLEX INCORPORATED | | | |
| | | ANGULAR ± 1° | | APPROVED BY RDEROSS | DATE 2006/02/16 | MATERIAL NO. SEE CHART | DOCUMENT NO. SD-38721-002 | SHEET NO. 2 OF 2 | |
| DRAFT WHERE APPLICABLE MUST REMAIN WITHIN DIMENSIONS | | THIS DRAWING CONTAINS INFORMATION THAT IS PROPRIETARY TO MOLEX INCORPORATED AND SHOULD NOT BE USED WITHOUT WRITTEN PERMISSION | | | | | | | |