

Rail & Base Mount Terminal Blocks

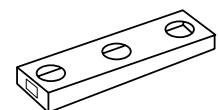
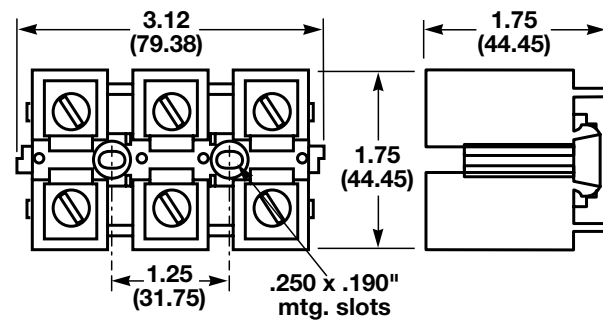
MAGNUM[®]
GET CONNECTED WITH US

NC3

Inches (Millimeters)

SPECIFICATIONS

Rating: 175A, 600V; UL/CSA
Center spacing: 1.06" (26.92)
Number of poles: 3
Circuits per foot: 11
Wire size: 2/0-#14 CU/AL
Screw size: 5/16-24
Mounting options: C-rail,
Base Mount
Marking tape: MT12-1/2
Torque rating: 45 in/lb max.
Operating temperature: 105°C



Optional LS3 Terminal Cover

BIF document: 1406

For complete specification data, call Bussmann Information Fax ~ 314.527.1450

