

# Barrier & Dead Front Terminal Blocks

Series 14002 & 14004

## Barrier Terminal Blocks Inches (Millimeters)

### Series 14002

**SPECIFICATIONS**

**Ratings:** 115A, 600V; UL/CSA

**Poles:** 2 to 6 poles

**Wire sizes:** #2 – #14 CU/#8 AL

**Operating temperature:** 150°C

**Marking:** Marking strip optional, consult factory.

**Options:** CP = Pressure plate, rated 60A, 600V

Q = Quick-Connect, rated 50A, 600V

**To order options, enter letter code**

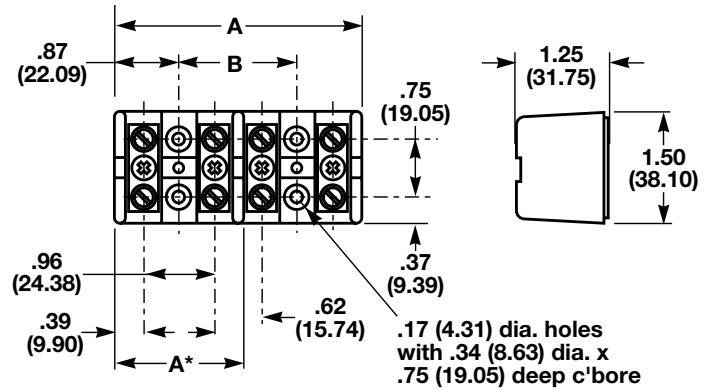
**in front of Part No.:** ie; CP14002-2

**Agency approvals:** UL E62622; CSA LR15364;

CE Pending



14002-2



Part Number	A	B
14002-2	1.75	—
14002-3	2.37	—
14002-4	3.34	1.59
14002-5	3.96	2.21
14002-6	4.59	2.84

Note: "A" dimension for 14002-2 & 14002-3 only.  
(14002-2 & 14002-3 have only two mounting holes.)

## Dead Front Terminal Blocks Inches (Millimeters)

### Series 14004

**SPECIFICATIONS**

**Ratings:** 90A, 600V; UL/CSA

**Poles:** 2 to 12 poles

**Wire sizes:** #4 – #14 CU/#8AL

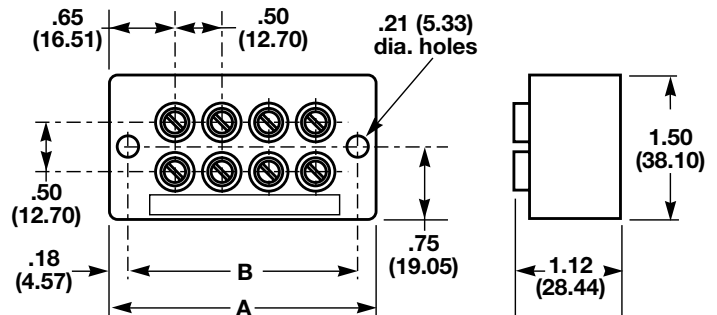
**Operating temperature:** 75°C

**Marking:** Marking strip optional, consult factory.

**Agency approvals:** UL E62622; CSA LR15364



14004-4



Part Number	A	B
14004-2	1.81	1.43
14004-3	2.31	1.93
14004-4	2.81	2.43
14004-5	3.31	2.93
14004-6	3.81	3.43
14004-7	4.31	3.93
14004-8	4.81	4.93
14004-9	5.31	4.93
14004-10	5.81	5.43
14004-11	6.31	5.93
14004-12	6.81	6.43