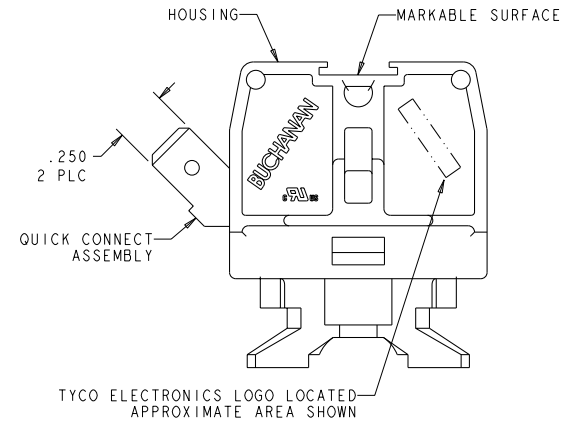
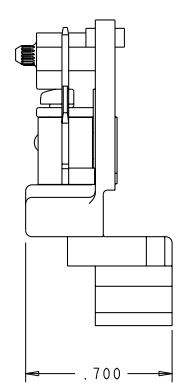
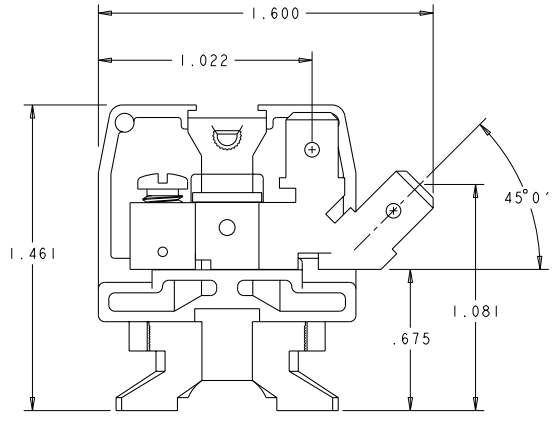
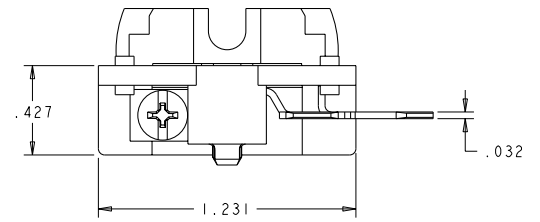


REV	DATE	BY	CHKD	APPROV
C	20MAR2010	HMR	CR	
REVISIONS				
LOC	DIST	DESCRIPTION		
FT	0			



- △ PHYSICAL PROPERTIES
 HOUSING: POLYESTER, UL 94V-0 RATED. COLOR: GRAY.
 QUICK CONNECT ASSEMBLY
 QUICK CONNECT: COPPER ALLOY, TIN PLATED.
 SCREW: STEEL, ZINC PLATED CLEAR CHROMATE.
 TUBULAR CONTACT: COPPER ALLOY, ZINC PLATED
2. MECHANICAL
 PITCH: .375
 MOUNTING: STANDARD CHANNEL AND CLAMP.
 OPERATING TEMPERATURE: 150°C MAX.
 TORQUE: RECOMMENDED TIGHTENING TORQUE IS 10 IN-LBS.

3. ELECTRICAL
 MAXIMUM CURRENT: 20A
 OPERATING VOLTAGE: 300 V
 WIRE RANGE: 12-18 AWG.

1546152-1
 PART NUMBER

DIMENSIONS:		DATE		DRAWN		BY		CHECKED		DATE		DATE		DATE	
INCHES		18JUN2002		S. WELDON		S. YODER		S. YODER		18JUN2002		18JUN2002		18JUN2002	
TOLERANCES UNLESS OTHERWISE SPECIFIED:		0 PLC ±.005		1 PLC ±.005		2 PLC ±.005		3 PLC ±.005		4 PLC ±.005		ANGLES ±.005		FINISH	
MATERIAL		WEIGHT		CUSTOMER DRAWING		APPLICATION SPEC		SHEET		CASE CODE		DRAWING NO		RESTRICTED TO	
-		-		-		-		A2		00779		1546152		-	
												SCALE 3:1		SHEET 1 OF 1 REV C	