

4

3

2

1

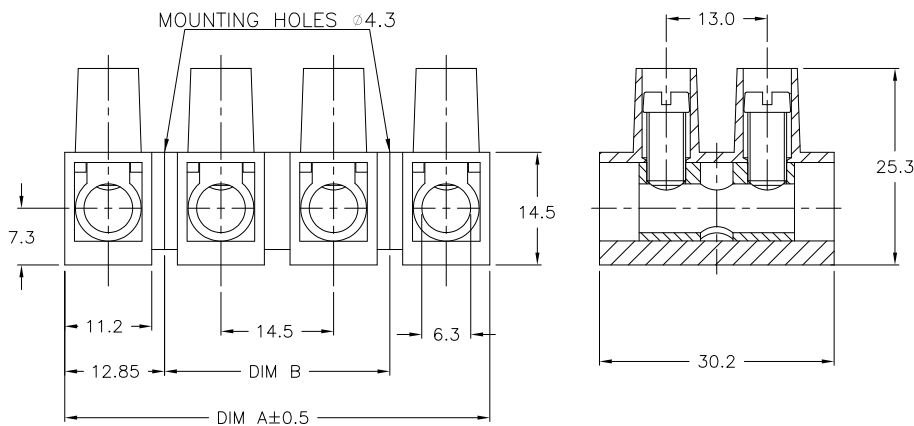
THIS DRAWING IS UNPUBLISHED. RELEASED FOR PUBLICATION  
 © COPYRIGHT - BY TYCO ELECTRONICS CORPORATION. ALL RIGHTS RESERVED.

LOC	DIST	REVISIONS				
P	LTR	DESCRIPTION	DATE	DWN	APVD	
FT	0					
	03	REVISED PER ECO-09-019621	26AUG09	HMR	CR	

**MATERIAL:**  
 HOUSING: POLYAMIDE 6, UL94V-2.  
 COLOR: OFF WHITE.  
 CONTACT: BRASS, TIN PLATED.  
 WIRE PROTECTOR: STAINLESS STEEL.  
 SCREW: M5, STEEL, W/ ZINC PLATED NON-  
 HEXAVALENT CHROMATE (CHROME III).

**ELECTRICAL:**  
 MAX CURRENT: 65A (UR) 70A (CSA)  
 OPERATING VOLTAGE: 300V.  
 WIRE RANGE: 6-14 UL AND 6-22 AWG FOR (CSA)  
 DIELECTRIC WITHSTAND: 6000V.

**ENVIRONMENT:**  
 CONTINUOUS WORKING TEMP.: -35°C TO 100°C.



145	170.7	12	TSB200012	1-1776312-2
130.5	156.2	11	TSB200011	1-1776312-1
116	141.7	10	TSB200010	1-1776312-0
101.5	127.2	9	TSB200009	1776312-9
87	112.7	8	TSB200008	1776312-8
72.5	98.2	7	TSB200007	1776312-7
58	83.7	6	TSB200006	1776312-6
43.5	69.2	5	TSB200005	1776312-5
29	54.7	4	TSB200004	1776312-4
14.5	40.2	3	TSB200003	1776312-3
-	25.7	2	TSB200002	1776312-2
-	11.2	1	TSB200001	1776312-1
DIM B	DIM A	NO OF POS	CATALOG NUMBER	PART NUMBER

DIMENSIONS:		TOLERANCES UNLESS OTHERWISE SPECIFIED:		DWN		Tyco Electronics		Tyco Electronics Corporation	
mm				S SCHLEGEL 3/22/05		Harrisburg, Pa 17105-3608			
0 PLC ± -		1 PLC ± 0.3		CHK C RICHARD 3/22/05		NAME		EUROPA TERMINAL BLOCK, 14.5MM PITCH	
2 PLC ± 0.25		3 PLC ± -		APVD C RICHARD 3/22/05		PRODUCT SPEC		RESTRICTED TO	
4 PLC ± -		ANGLES ± 2°		MATERIAL		FINISH		SIZE CAGE CODE DRAWING NO	
								A3 00779 C-1776312	
								WEIGHT	
								CUSTOMER DRAWING	
								SCALE NTS SHEET 1 OF 1 REV 03	