

4

3

2

1

THIS DRAWING IS UNPUBLISHED. RELEASED FOR PUBLICATION  
 © COPYRIGHT - By - ALL RIGHTS RESERVED.

LOC	DIST	REVISIONS				
P	LTR	DESCRIPTION	DATE	DWN	APVD	
FT	0					
P		REVISED PER ECO-11-004917	11MAR11	RK	HMR	

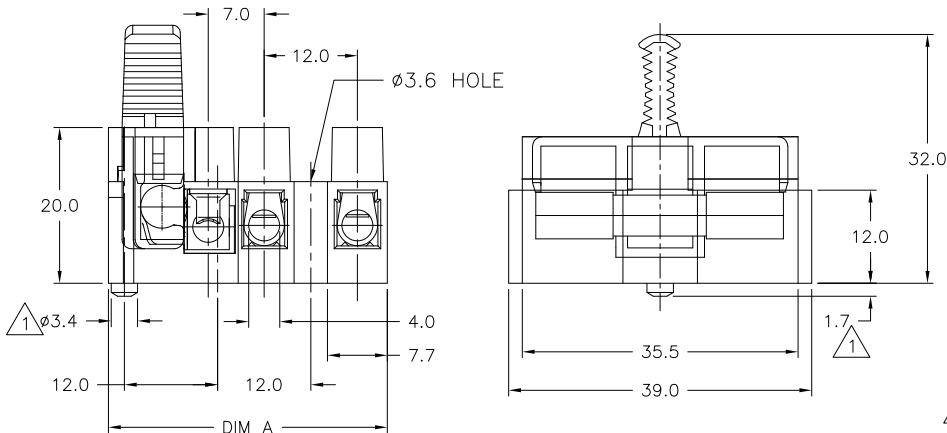
**MATERIAL:**  
 HOUSING: POLYAMIDE 6/6, GRAY, HANDLE BLACK.  
 INSERTS: BRASS, TIN PLATED.  
 CONTACTS FOR FUSES: STAINLESS SPRING STEEL.  
 SCREWS: STEEL, ZINC PLATED, NON-HEXAVALENT CHROMATE (CHROME III).

**VOLTAGE RATING:**  
 FUSE HOLDERS: 250V  
 TERMINAL BLOCKS: 400V

**CURRENT RATING:**  
 FUSE HOLDERS: 16A  
 TERMINAL BLOCKS: 34A

**WIRE RANGE: 10-24 AWG (WIRE PROTECTOR)**  
**WIRE RANGE: 8-22 AWG (TUNNEL CONNECTION)**

△ 1 LOCATING FEATURE IS NOT APPLICABLE TO 1 POSITION PART.



36.0	1003SI/3EDS	1776309-4
DIM A	CATALOG NO.	PART NUMBER
WIRE PROTECTOR GROUNDED		
36.0	1003SI/3E	1776309-3
DIM A	CATALOG NO.	PART NUMBER
TUNNEL CONNECTION GROUNDED		
24.0	1003SI/2DS	1776309-2
18.7	1003SI/1DS	1776309-1
DIM A	CATALOG NO.	PART NUMBER
WIRE PROTECTOR		
60.0	1003SI/5	1-1776309-5
48.0	1003SI/4	1-1776309-4
36.0	1003SI/3	1-1776309-3
24.0	1003SI/2	1-1776309-2
18.7	1003SI/1	1-1776309-1
DIM A	CATALOG NO.	PART NUMBER
TUNNEL CONNECTION		

THIS DRAWING IS A CONTROLLED DOCUMENT.

DIMENSIONS:	TOLERANCES UNLESS OTHERWISE SPECIFIED:	DWN	S SCHLEGEL	3/22/05	 TE Connectivity <b>FUSED TERMINAL BLOCK</b> 1003SI
mm		CHK	S YODER	3/22/05	
		APVD	S YODER	3/22/05	
		NAME			
		PRODUCT SPEC			
		APPLICATION SPEC			
MATERIAL	FINISH	WEIGHT			RESTRICTED TO
-	-	-	SIZE	CAGE CODE	DRAWING NO
			A3	00779	C-1776309
CUSTOMER DRAWING			SCALE	NTS	SHEET 1 of 1
					REV P