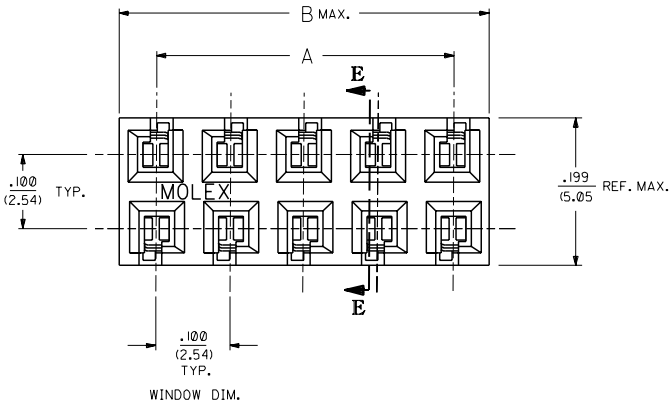
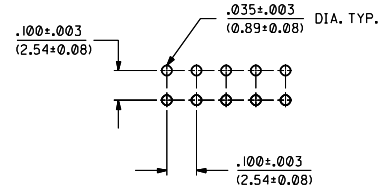


13 12 11 10 9 8 7 6 70182 4 3 2 1

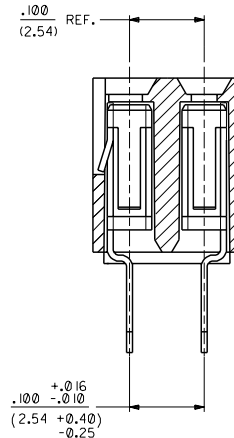
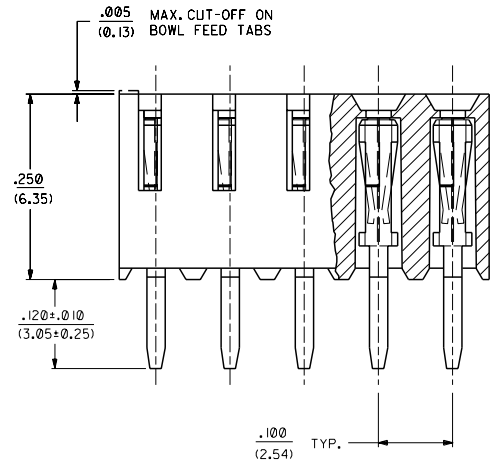


NOTES:

- 1 - HOUSING MATERIAL: GLASS FILLED POLYESTER, UL 94V-0, COLOR: BLACK
- 2 - TERMINAL MATERIAL: PHOSPHOR BRONZE
- 3 - SEE ADDITIONAL SHEETS FOR CHARTS, PLATINGS, AND OVERALL DIMENSIONS
- 4 - THIS PRODUCT CONFORMS TO PS-70181.



RECOMMENDED P.C. BOARD HOLE LAYOUT
SCALE = 4:1



SECTION E-E

B	CHANGE PACK SPEC. EQN# 10172009-0503 DMORGAN 99/12/14		
2	B	A	REVISE PLATE & BOX REL. DWG U30572 09/08/93 MURPHY
1	B		

DIMENSIONS SHOWN IN METRIC INCH		UNLESS OTHERWISE SPECIFIED TOLERANCES ANGULAR 1/2°		REVISIONS	
± PLACE	± .010	± PLACE	± .014 ± 0.25	REVISE ONLY ON CAD SYSTEM	
± PLACE	± .014 ± 0.25	± PLACE	± 0.35	MFG. SH. REV. LTR.	
± PLACE	± 0.35	DRAFT WHERE APPLICABLE MUST REMAIN WITHIN DIMENSIONS		MOLEX INCORPORATED U.S.A. SHEET NO. DATE 1 OF 2 09/08/93	
DRWG. BY: PM	CHK'D. BY: PM	PART NO. SEE CHART		DRWG. NO. SDA-70182-****	
APP'D. BY: PM	SCALE: 10:1	FILE NAME: 570182X1.DWG		DIV. SIZE	

13 12 11 10 9 8 7 6 5 4 3 2 1

CKT SIZE	PLATING: I64 PACKAGING: PK-70873-0661		PLATING: 571 PACKAGING: PK-70873-0661		PLATING: 574 PACKAGING: PK-70873-0661		PLATING: PACKAGING:		DIM."A"		DIM."B"			
	PER ROW	TOTAL	EDP NO.	ENG NO.	EDP NO.	ENG NO.	EDP NO.	ENG NO.	EDP NO.	ENG NO.	INCH	MM	INCH	MM
	02	04	15-45-0902	A-70182-0065	15-44-3602	A-70182-0129	15-44-4102	A-70182-0193			.100	2,54	.199	5,05
03	06	15-45-0903	A-70182-0066	15-44-3603	A-70182-0130	15-44-4103	A-70182-0194			.200	5,08	.299	7,59	
04	08	15-45-0904	A-70182-0067	15-44-3604	A-70182-0131	15-44-4104	A-70182-0195			.300	7,62	.399	10,13	
05	10	15-45-0905	A-70182-0068	15-44-3605	A-70182-0132	15-44-4105	A-70182-0196			.400	10,16	.499	12,67	
06	12	15-45-0906	A-70182-0069	15-44-3606	A-70182-0133	15-44-4106	A-70182-0197			.500	12,70	.599	15,21	
07	14	15-45-0907	A-70182-0070	15-44-3607	A-70182-0134	15-44-4107	A-70182-0198			.600	15,24	.699	17,75	
08	16	15-45-0908	A-70182-0071	15-44-3608	A-70182-0135	15-44-4108	A-70182-0199			.700	17,78	.799	20,29	
09	18	15-45-0909	A-70182-0072	15-44-3609	A-70182-0136	15-44-4109	A-70182-0200			.800	20,32	.899	22,83	
10	20	15-45-0910	A-70182-0073	15-44-3610	A-70182-0137	15-44-4110	A-70182-0201			.900	22,86	.999	25,37	
11	22	15-45-0911	A-70182-0074	15-44-3611	A-70182-0138	15-44-4111	A-70182-0202			1.000	25,40	1.099	27,91	
12	24	15-45-0912	A-70182-0075	15-44-3612	A-70182-0139	15-44-4112	A-70182-0203			1.100	27,94	1.199	30,45	
13	26	15-45-0913	A-70182-0076	15-44-3613	A-70182-0140	15-44-4113	A-70182-0204			1.200	30,48	1.299	32,99	
14	28	15-45-0914	A-70182-0077	15-44-3614	A-70182-0141	15-44-4114	A-70182-0205			1.300	33,02	1.399	35,53	
15	30	15-45-0915	A-70182-0078	15-44-3615	A-70182-0142	15-44-4115	A-70182-0206			1.400	35,56	1.499	38,07	
16	32	15-45-0916	A-70182-0079	15-44-3616	A-70182-0143	15-44-4116	A-70182-0207			1.500	38,10	1.599	40,61	
17	34	15-45-0917	A-70182-0080	15-44-3617	A-70182-0144	15-44-4117	A-70182-0208			1.600	40,64	1.699	43,15	
18	36	15-45-0918	A-70182-0081	15-44-3618	A-70182-0145	15-44-4118	A-70182-0209			1.700	43,18	1.799	45,69	
19	38	15-45-0919	A-70182-0082	15-44-3619	A-70182-0146	15-44-4119	A-70182-0210			1.800	45,72	1.899	48,23	
20	40	15-45-0920	A-70182-0083	15-44-3620	A-70182-0147	15-44-4120	A-70182-0211			1.900	48,26	1.999	50,77	
21	42	15-45-0921	A-70182-0084	15-44-3621	A-70182-0148	15-44-4121	A-70182-0212			2.000	50,80	2.099	53,31	
22	44	15-45-0922	A-70182-0085	15-44-3622	A-70182-0149	15-44-4122	A-70182-0213			2.100	53,34	2.199	55,85	
23	46	15-45-0923	A-70182-0086	15-44-3623	A-70182-0150	15-44-4123	A-70182-0214			2.200	55,88	2.299	58,39	
24	48	15-45-0924	A-70182-0087	15-44-3624	A-70182-0151	15-44-4124	A-70182-0215			2.300	58,42	2.399	60,93	
25	50	15-45-0925	A-70182-0088	15-44-3625	A-70182-0152	15-44-4125	A-70182-0216			2.400	60,96	2.499	63,47	
26	52	15-45-0926	A-70182-0089	15-44-3626	A-70182-0153	15-44-4126	A-70182-0217			2.500	63,50	2.599	66,01	
27	54	15-45-0927	A-70182-0090	15-44-3627	A-70182-0154	15-44-4127	A-70182-0218			2.600	66,04	2.699	68,55	
28	56	15-45-0928	A-70182-0091	15-44-3628	A-70182-0155	15-44-4128	A-70182-0219			2.700	68,58	2.799	71,09	
29	58	15-45-0929	A-70182-0092	15-44-3629	A-70182-0156	15-44-4129	A-70182-0220			2.800	71,12	2.899	73,63	
30	60	15-45-0930	A-70182-0093	15-44-3630	A-70182-0157	15-44-4130	A-70182-0221			2.900	73,66	2.999	76,17	
31	62	15-45-0931	A-70182-0094	15-44-3631	A-70182-0158	15-44-4131	A-70182-0222			3.000	76,20	3.099	78,71	
32	64	15-45-0932	A-70182-0095	15-44-3632	A-70182-0159	15-44-4132	A-70182-0223			3.100	78,74	3.199	81,25	
33	66	15-45-0933	A-70182-0096	15-44-3633	A-70182-0160	15-44-4133	A-70182-0224			3.200	81,28	3.299	83,79	
34	68	15-45-0934	A-70182-0097	15-44-3634	A-70182-0161	15-44-4134	A-70182-0225			3.300	83,82	3.399	86,33	
35	70	15-45-0935	A-70182-0098	15-44-3635	A-70182-0162	15-44-4135	A-70182-0226			3.400	86,36	3.499	88,87	
36	72	15-45-0936	A-70182-0099	15-44-3636	A-70182-0163	15-44-4136	A-70182-0227			3.500	88,90	3.599	91,41	
37	74	15-45-0937	A-70182-0100	15-44-3637	A-70182-0164	15-44-4137	A-70182-0228			3.600	91,44	3.699	93,95	
38	76	15-45-0938	A-70182-0101	15-44-3638	A-70182-0165	15-44-4138	A-70182-0229			3.700	93,98	3.799	96,49	
39	78	15-45-0939	A-70182-0102	15-44-3639	A-70182-0166	15-44-4139	A-70182-0230			3.800	96,52	3.899	99,03	
40	80	15-45-0940	A-70182-0103	15-44-3640	A-70182-0167	15-44-4140	A-70182-0231			3.900	99,06	3.999	101,57	

PLATING CODES

(164) TIN-LEAD (Sn-Pb) ALLOY OVER ENTIRE PIN; THICKNESS=(3,75 MICROMETER)/75 MICROINCH MINIMUM; NICKEL (Ni) UNDERPLATE OVER ENTIRE PIN.

(571) SELECTIVE GOLD (Au) IN THE CONTACT AREA; THICKNESS=(0,37 MICROMETER)/15 MICROINCH MINIMUM; SELECTIVE TIN-LEAD (Sn-Pb) ALLOY IN THE PC TAIL AREA; THICKNESS=(1,88 MICROMETER)/75 MICROINCH MINIMUM; NICKEL (Ni) UNDERPLATE OVER ENTIRE PIN.

(574) SELECTIVE GOLD (Au) IN THE CONTACT AREA; THICKNESS=(0,75 MICROMETER)/30 MICROINCH MINIMUM; SELECTIVE TIN-LEAD (Sn-Pb) ALLOY IN THE PC TAIL AREA; THICKNESS=(1,88 MICROMETER)/75 MICROINCH MINIMUM; NICKEL (Ni) UNDERPLATE OVER ENTIRE PIN.

DIMENSIONS SHOWN METRIC INCH		TOLERANCES ANGULAR 1/2°		REVISIONS ONLY ON CAD SYSTEM	
UNLESS OTHERWISE SPECIFIED					
INCH		METRIC		TITLE	
3 PLACES ± .005		± .005		CONNECTOR, VERT. MOUNT, DUAL ROW	
2 PLACES ± .005		± .005		(TOP ENTRY), .100 x .100	
1 PLACE ± .005		± .005		P.C. TAIL GRID	
DRAFT WHERE APPLICABLE MUST REMAIN WITHIN DIMENSIONS				MOLEX INCORPORATED	
SEE SHEET 1				SHEET NO. 2	
APP'D BY: DJB		ENGR. BY: PM		DATE: 09/08/93	
LTR. REVISIONS		LTR. REVISIONS		PART NO. SDA-70182-****	
				FILE NAME: S70182X2.DWG	
				NO DIMENSIONS CONTAINING INFORMATION SHALL BE FORWARDED TO MOLEX INC. AND SHOULD NOT BE USED WITHOUT WRITTEN PERMISSION	