

NOTES:

- 12 CIRCUIT SIZE SHOWN FOR ILLUSTRATION ONLY. SEE CHART FOR AVAILABLE PART SIZES.
- PLATING FINISH:
 - 1 - 0.76um/30uin MIN. GOLD IN CONTACT AREA
1.90um/75uin MIN. TIN/LEAD IN SOLDER TAIL AREA
BOTH OVER 1.30um/50uin MIN. NICKEL OVERALL
 - 2 - 0.38um/15uin MIN. GOLD IN CONTACT AREA
1.90um/75uin MIN. TIN/LEAD IN SOLDER TAIL AREA
BOTH OVER 1.30um/50uin MIN. NICKEL OVERALL
 - 3 - 0.76um/30uin MIN. GOLD IN CONTACT AREA
1.90um/75uin MIN. TIN IN SOLDER TAIL AREA
BOTH OVER 1.30um/50uin MIN. NICKEL OVERALL
 - 4 - 0.38um/15uin MIN. GOLD IN CONTACT AREA
1.90um/75uin MIN. TIN IN SOLDER TAIL AREA
BOTH OVER 1.30um/50uin MIN. NICKEL OVERALL
- COPLANARITY OF SOLDER TAIL IS TO BE MEASURED BY RESTING THE PART ON A FLAT GAUGE SURFACE.
- PRODUCT SPECIFICATION PS-87340 APPLIES.
- THIS AREA OF PART TO BE HEAT STAKED TO RETAIN CONTACTS.
- PART IS MATEABLE TO ALL MILLI-GRID HEADERS WITH MINIMUM PIN LENGTHS OF 1.90mm FOR TOP ENTRY.

PART NO. IN TUBE	CKT. SIZE	DIM. B	DIM. A
87340-04**	4	2,00	4,00
87340-06**	6	4,00	6,00
87340-08**	8	6,00	8,00
87340-10**	10	8,00	10,00
87340-12**	12	10,00	12,00
87340-14**	14	12,00	14,00
87340-16**	16	14,00	16,00
87340-18**	18	16,00	18,00
87340-20**	20	18,00	20,00

PART NO. LEGEND

87340 - ** - ***

CIRCUIT SIZE PLATING

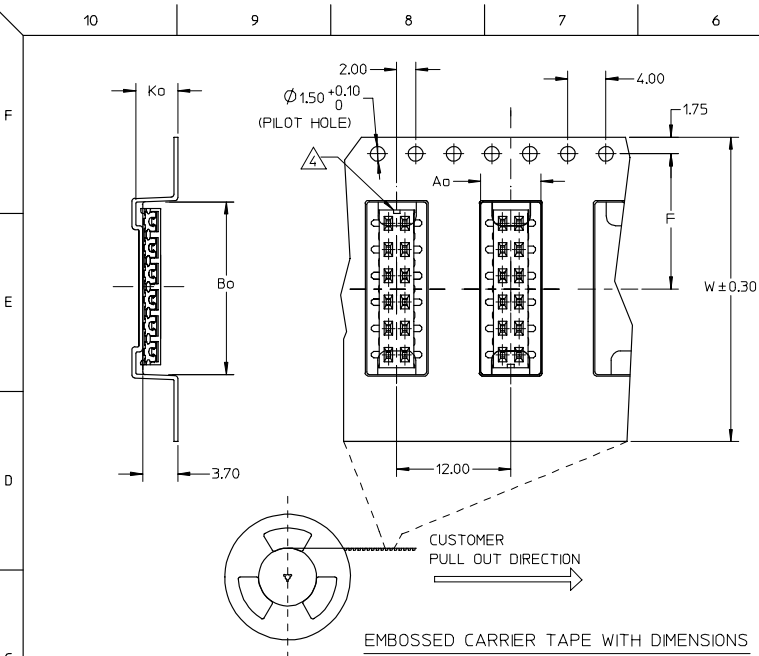
1 - WITHOUT LOCATING PEGS (HOUSING - BLACK) 1

2 - WITH LOCATING PEGS (HOUSING - BLACK) 2

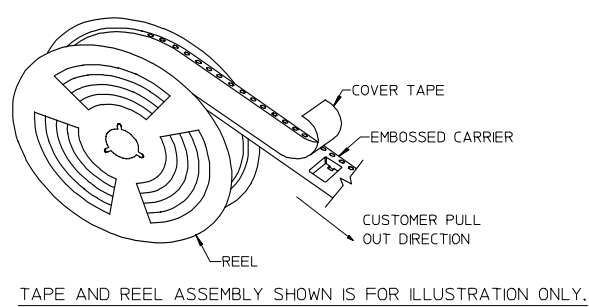
3 - WITHOUT LOCATING PEGS (HOUSING - NATURAL) 3 (SEE NOTE 2)

4 - WITH LOCATING PEGS (HOUSING - NATURAL) 4

PDR No. : S-001004-00-00 EC NO. S2006-0170 DRAWN BY: 01A0 CHKD BY: 80K APPR: PTL/IN	QUALITY SYMBOLS ▽=0 ▽=0	GENERAL TOLERANCES (UNLESS SPECIFIED)		DIMENSION STYLE MM ONLY		SCALE NTS	DESIGN UNITS METRIC	THIRD ANGLE PROJECTION	
		4 PLACES ± --- ± ---	3 PLACES ± --- ± ---	2 PLACES ± 0.20 ± ---	1 PLACE ± --- ± ---	ANGULAR ± 3 °	DRAWN BY JKACHL I	DATE 1991/07/02	CHECKED BY JNG
REV 2	DESCRIPTION	DRAFT WHERE APPLICABLE MUST REMAIN WITHIN DIMENSIONS		MATERIAL NO. SEE TABLE		DOCUMENT NO. SD-87340-**-01		SHEET NO. 1 OF 2	



PART NO. IN TUBE	PART NO. TAPE/REEL	CKT SIZE	PLATING OPTION	Ao	Bo	F	W	Ko
87340-1014	87340-1019	10	TIN	6.70	10.40	11.50	24.00	5.30
87340-1613	87340-1618	16	TIN	6.60	16.30	11.50	24.00	4.40



EMBOSSED CARRIER TAPE WITH DIMENSIONS

NOTES:

- LEADER AND TRAILER TAPE
- PEELING OFF FORCE OF THE TOP TAPE: 20-80gf.
 (PEELING DIRECTION AS SHOWN IN FOLLOWING FIGURE)
- PACKAGING STANDARD IS AS PER EIA-481.
- NO FIX ORIENTATION OF ASSEMBLY PART IN T&R.
- TAPE & REEL QUANTITY : 1000 PCS / REEL

PDR No. : S-001004-00-00 EC NO. S2006-0170 DRAWN BY: L01A0 CHKD BY: B00K APPR: P.L.H	2005/08/30 2005/08/30 2005/09/08	QUALITY SYMBOLS ▽=0 ▽=0	GENERAL TOLERANCES (UNLESS SPECIFIED)		DIMENSION STYLE MM ONLY		SCALE NTS	DESIGN UNITS METRIC	THIRD ANGLE PROJECTION
			4 PLACES ± --- ± ---	3 PLACES ± --- ± ---	2 PLACES ± 0.20 ± ---	1 PLACE ± --- ± ---	ANGULAR ± 3 °	DRAWN BY JKACHL I	DATE 1991/07/02
DRAFT WHERE APPLICABLE MUST REMAIN WITHIN DIMENSIONS			MATERIAL NO. SEE TABLE		DOCUMENT NO. SD-87340-**01		MOLEX INCORPORATED		SHEET NO. 2 OF 2
THIS DRAWING CONTAINS INFORMATION THAT IS PROPRIETARY TO MOLEX INCORPORATED AND SHOULD NOT BE USED WITHOUT WRITTEN PERMISSION									