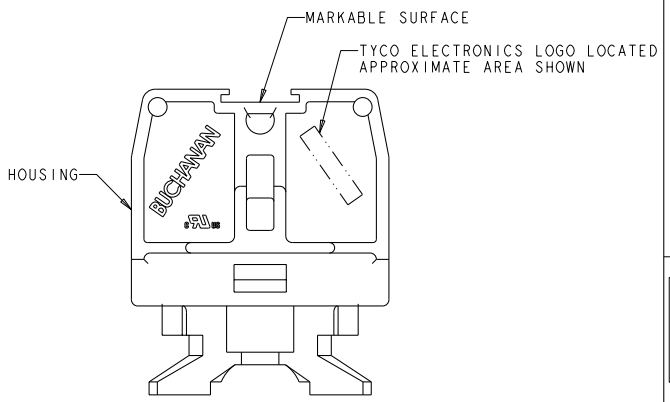
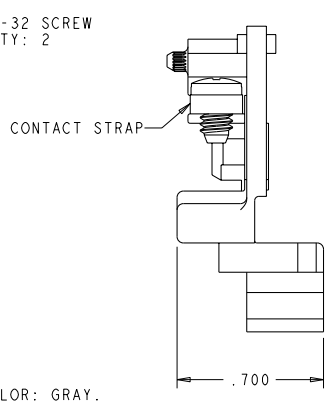
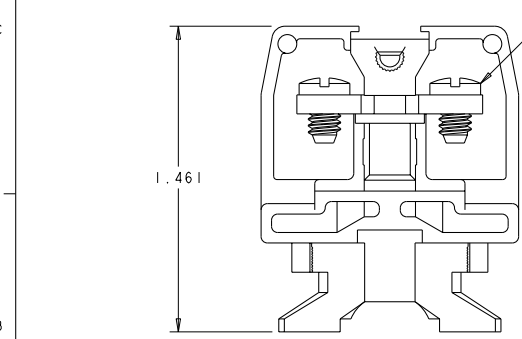
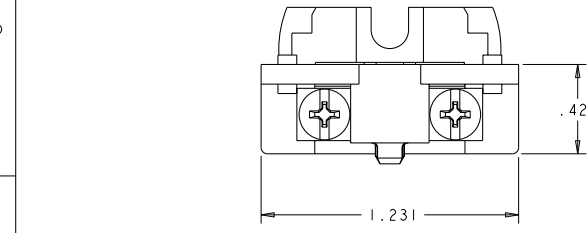


THIS DRAWING IS UNPUBLISHED. RELEASED FOR PUBLICATION BY TYCO ELECTRONICS CORPORATION. ALL RIGHTS RESERVED. COPYRIGHT 20

REV	DATE	BY	APPD
F	20MAR2010	SMR	CR



- △ PHYSICAL PROPERTIES (STANDARD)
HOUSING: POLYESTER, UL 94V-0 RATED, COLOR: GRAY.
CONTACT STRAP: COPPER ALLOY, ZINC PLATED.
SCREW: STEEL, ZINC PLATED CLEAR CHROMATE.
- △ PHYSICAL PROPERTIES (DURAMAX)
HOUSING: POLYESTER, UL 94V-0 RATED, COLOR: GRAY.
CONTACT STRAP: COPPER ALLOY, NICKEL PLATED.
SCREW: COPPER ALLOY, NICKEL PLATED.
- 3. MECHANICAL
PITCH: .375
MOUNTING: STANDARD CHANNEL AND CLAMP.
OPERATING TEMPERATURE: 150°C MAX.
TORQUE: RECOMMENDED TIGHTENING TORQUE IS 12 IN-LBS.
- 4. ELECTRICAL
MAXIMUM CURRENT: 15A, 35A*
OPERATING VOLTAGE: 600 V
WIRE RANGE: 14-22 AWG, 10 AWG*
* ACCEPTABLE FOR 35A MAXIMUM CURRENT, FACTORY WIRING ONLY, WHEN USED WITH 10 AWG WIRE PRE-TERMINATED WITH SUITABLE RING TONGUE TERMINALS.
- △ SEE RESTRICTED CUSTOMER DRAWING 4-1437394-5.

-	4-1437394-5	△
△	1546144-2	
△	1546144-1	
MATERIAL / FINISH	PART NUMBER	

DIMENSIONS: INCHES		TO DIMENSIONS SHOWN	DATE: 13JUN2002	BY: S. WELDON	DATE: 13JUN2002	BY: S. YODER	DATE: 13JUN2002	BY: S. YODER	DATE: 13JUN2002	NAME: ASSEMBLY, TERMINAL BLOCK, NEMA, DOVETAIL BASE, MEDIUM DUTY, STRAP SCREW	RESTRICTED TO
0 PLC	±.010	1 PLC	±.010	2 PLC	±.010	3 PLC	±.010	4 PLC	±.010	ANGLES	±.010
MATERIAL		FINISH	WEIGHT	SCALE	3:1	SHEET	1	OF	1	REV	F
SEE TABLE		SEE TABLE	CUSTOMER DRAWING								