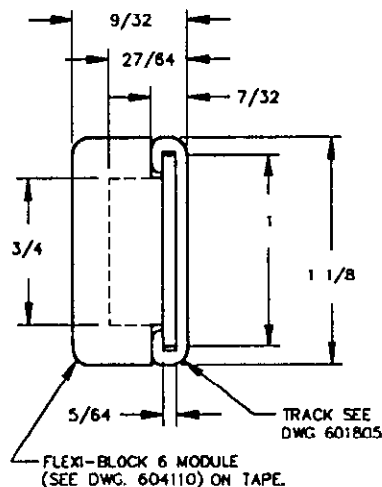
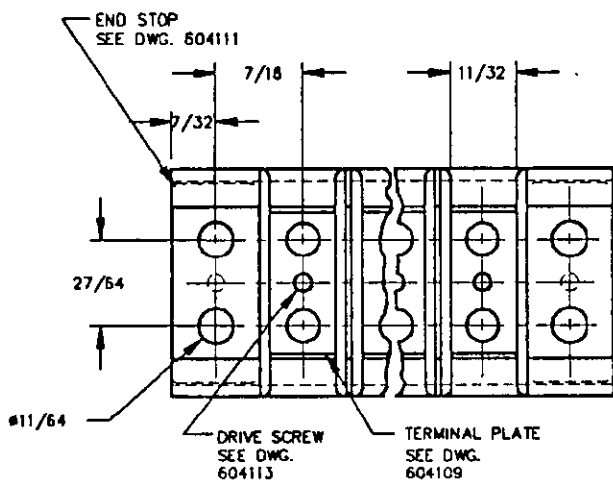


RELEASE FOR PUBLICATION FEB 20 1991
BY AMP INCORPORATED. ALL RIGHTS RESERVED.

THIS DRAWING IS UNPUBLISHED.
© COPYRIGHT 1990

- NOTES:
1. P/N 604100-1 REPRESENTS A CONTINUOUS STRIP MODULES ON TAPE. FOR CUT LENGTHS SEE DWG. 604142.
 2. P/N 1-604100-1 REPRESENTS A PACKAGE OF 100 MODULES ON TAPE IN PRE-PRINTED BOX.
 3. P/N 2-604100-1 REPRESENTS A PACKAGE OF 500 MODULES ON TAPE IN PRE-PRINTED BOX.
 4. SYSTEM DIMENSION FOR REFERENCE ONLY.



2-604100-1

SUPERSEDED BY 1-604100-1

604142

| | | |
|--|------------|---|
| | 2-604100-1 | FLEXI-BLOCK 6 (500 MODULES ON TAPE) |
| | 1-604100-1 | FLEXI-BLOCK 6 (100 MODULES ON TAPE) |
| | 604100-1 | FLEXI-BLOCK 6 (FOR CUT LENGTH SEE DRAWING 604192) |

LOC
EY

DIST
Z5

| DWG SIZE | PART No. | DESCRIPTION | REV |
|----------|----------|-------------|-----|
|----------|----------|-------------|-----|

REVISION OF EACH ASSY NO. (WHEN BLANK, USE DWG REVISION)

QTY. REQ'D. PER ASSY.

PARTS LIST

MATERIAL NYLON 6/6
BLUE

HEAT TREAT
— H —

FINISH
— H —

DIMENSIONS ARE IN INCHES

DRAWN BY:
ameri-cad imaging

DATE:
2/11/91

APPROVED BY:

TOLERANCES UNLESS OTHERWISE SPECIFIED:

CHECK BY:

RELEASE:
J. James 2/20/91

2 PL DEC ± .02

3 PL DEC ± .005

4 PL DEC ± .0005

ANGLES ± 0° 30'
FRACTIONS ± 1/64

SURF TEXTURE: REMOVE BURRS, BREAK SHARP EDGES, .015 R. MAX.

AMP

AMP INCORPORATED
Harrisburg, Pa

NAME: FLEXI-BLOCK 6 SYSTEM
W/O SCREWS

K EC 0230-043-94 DS 11-91

J ECN 12591 CAD JH 2-91

P F LTR REVISION RECORD APP DATE

SCALE: NTS A

DRAWING No.: 604100

SHEET 1 OF 1

PK K