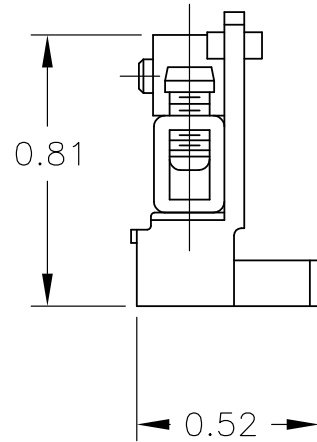
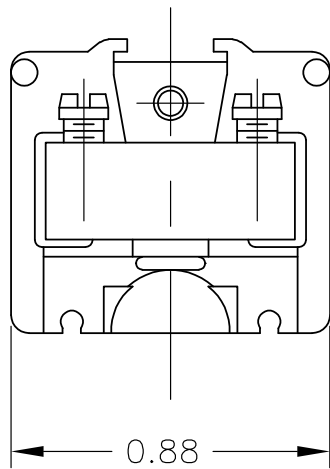
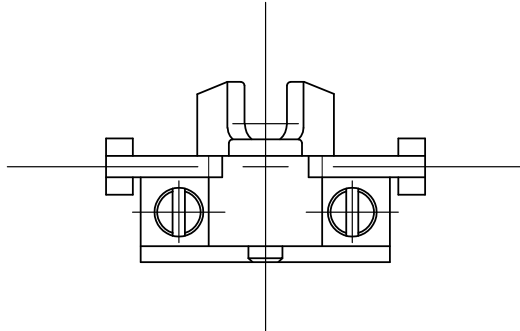


LOC	DIST	REVISIONS					
		P	LTR	DESCRIPTION	DATE	DWN	APVD
—	—		A1	REVISED PER ECO-11-004917	11MAR11	RK	HMR

△ 1 MATERIAL: NYLON




RELEASED FOR PUBLICATION

ALL RIGHTS RESERVED.

THIS DRAWING IS UNPUBLISHED.

© COPYRIGHT - By -

DIMENSIONS: INCHES TOLERANCES UNLESS OTHERWISE SPECIFIED: 0 PLC ± - 1 PLC ± - 2 PLC ± - 3 PLC ± - 4 PLC ± - ANGLES ± 0° 15'	DWN RAGHAVENDRA 29SEP08	MATERIAL △ 1	FINISH -	
	CHK MACE SAM 29SEP08	 TE Connectivity		
APVD MACE SAM 29SEP08	NAME CONTACT SECTION AND TUBULAR CONTACT ASS'Y. MIN TERM BLOCK			
PRODUCT SPEC -	SIZE A4	CAGE CODE 00779	DRAWING NO C-2-1437392-3	RESTRICTED TO -
APPLICATION SPEC -	WEIGHT -	SCALE 2:1		SHEET 1 OF 1
CUSTOMER DRAWING		REV A1		