

4

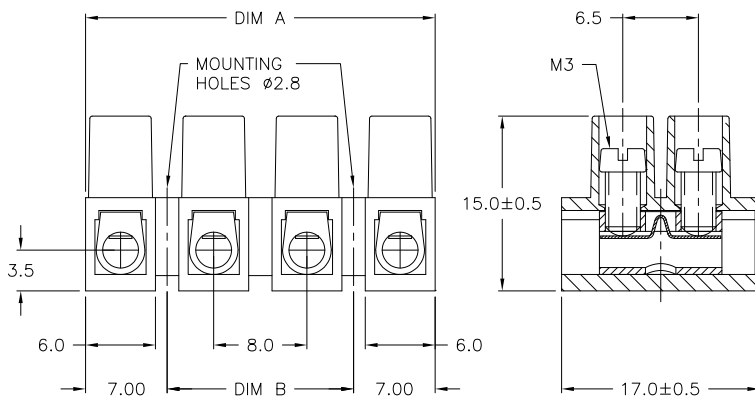
3

2

1

THIS DRAWING IS UNPUBLISHED. RELEASED FOR PUBLICATION
 © COPYRIGHT - By - ALL RIGHTS RESERVED.

LOC	DIST	REVISIONS				
P	LTR	DESCRIPTION	DATE	DWN	APVD	
FT	0					
P		REVISED PER ECO-11-004587	11MAR11	RK	HMR	



MATERIAL:
 HOUSING: POLYIMIDE 6 UL94V-2.
 COLOR: NATURAL (OFF WHITE)
 TUBULAR CONTACT: BRASS TIN PLATED.
 SCREW: STEEL M3 ZINC W/ NON-HEXAVALENT
 CHROMATE (CHROME III).
 WIRE PROTECTOR: STAINLESS STEEL

ELECTRICAL:
 UL/CSA
 CURRENT RATING: 30A, 250V.
 WIRE RANGE: 12-22 AWG.
 VDE
 CURRENT RATING:
 TO EN60 598: 16A
 TO EN60 998: 24A
 CONDUCTOR SIZE: UP TO 1.5 mm²

80.0	94.0±1.0	12	TSB23012DS	1-1776293-2
72.0	86.0±0.7	11	TSB23011DS	1-1776293-1
64.0	78.0±0.7	10	TSB23010DS	1-1776293-0
56.0	70.0±0.7	9	TSB23009DS	1776293-9
48.0	62.0±0.7	8	TSB23008DS	1776293-8
40.0	54.0±0.7	7	TSB23007DS	1776293-7
32.0	46.0±0.7	6	TSB23006DS	1776293-6
24.0	38.0±0.5	5	TSB23005DS	1776293-5
16.0	30.0±0.5	4	TSB23004DS	1776293-4
8.0	22.0±0.5	3	TSB23003DS	1776293-3
-	14.0±0.5	2	TSB23002DS	1776293-2
-	6.0±0.3	1	TSB23001DS	1776293-1
DIM B	DIM A	NO POSN	CATALOG NUMBER	PART NUMBER

THIS DRAWING IS A CONTROLLED DOCUMENT.

DIMENSIONS:	TOLERANCES UNLESS OTHERWISE SPECIFIED:	DWN	S. SCHLEGEL	3/18/05
mm		CHK	C. RICHARD	3/18/05
0 PLC	± -	APVD	C. RICHARD	3/18/05
1 PLC	± .3	NAME		
2 PLC	± .25	PRODUCT SPEC		
3 PLC	± -	APPLICATION SPEC		
4 PLC	± -	WEIGHT		
ANGLES	± 2	SIZE	A3	
MATERIAL	FINISH	CAGE CODE	00779	
		DRAWING NO	1776293	
		RESTRICTED TO		
		CUSTOMER DRAWING		
		SCALE	NTS	
		SHEET	1 of 1	
		REV	P	

EUROPA TERMINAL BLOCK W/WIRE PROTECTOR
 MOUNTING HOLES 2.8 DIA., 8.0mm PITCH

STE TE Connectivity