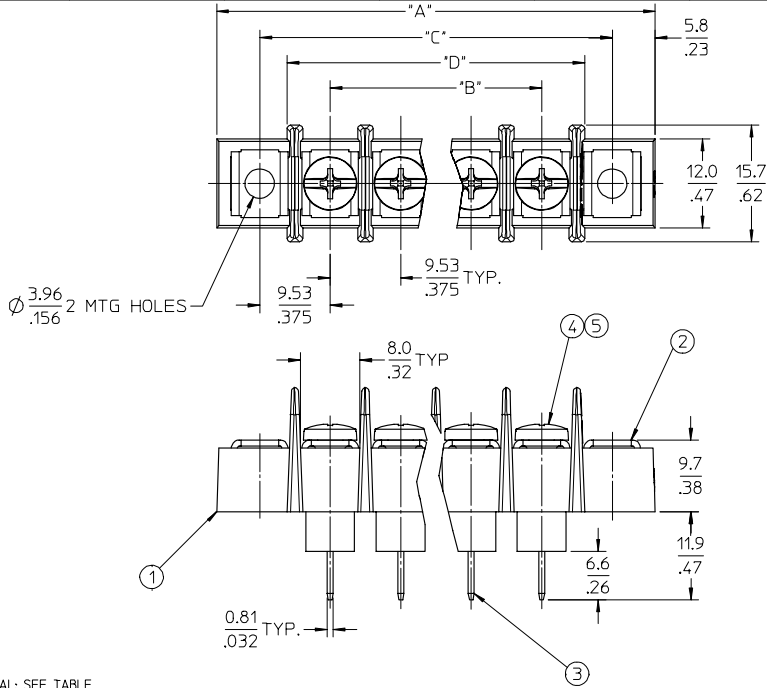
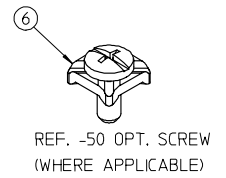
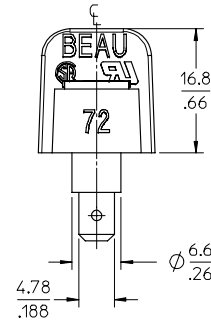


4 CIRCUIT SHOWN



- NOTES:
1. MATERIAL: SEE TABLE
 2. FINISHES: SEE TABLE
 3. PRODUCT SPECIFICATION: NOT REQUIRED
 4. PACKAGING: NOT REQUIRED
 5. MATES WITH: N/A
 6. "XX" REFERS TO THE QUANTITY OF CIRCUITS.

ITEM	QTY.	DESCRIPTION	MATERIAL	FINISH
6	XX	SCREW&WASHER, #6-32X.250 PAN, PH-SL, -50	STEEL	ZN, CLEAR CHROMATE
5	XX	SCREW, #6-32X.250 BHD, PHIL-SLOT, -49	BRASS	NICKEL PLATE
4	XX	SCREW, #6-32X.250 BHD, PHIL-SLOT (STD)	STEEL	ZN, CLEAR CHROMATE
3	XX	TERMINAL, FAST TAB, STYLE 9, SNVB	BRASS	TIN PLATE
2	2	PLATE, MOUNTING, NI	BRASS	NICKEL PLATE
1	1	INSULATOR, 9.53MM, SR BTS, INSUL. BASE	PBT, 30% GF	BLACK

RELEASED EC NO: EITC2006-0262 DRAWN BY: CHYKROBROSS APPROVED BY: RDEROSS 2006/02/16 2006/02/16 2006/02/16 2006/02/16	QUALITY SYMBOLS	GENERAL TOLERANCES (UNLESS SPECIFIED)	DIMENSION STYLE	SCALE	DESIGN UNITS	THIRD ANGLE PROJECTION
	▽=0 ▽=0	mm INCH 4 PLACES ± --- ±.0002 3 PLACES ± 0.005 ±.005 2 PLACES ± 0.13 ±.01 1 PLACE ± 0.25 ± --- ANGULAR ± 1 °	MM/IN	2:1	INCH	DRAWN BY: C. YORK CHECKED BY: RDEROSS APPROVED BY: RDEROSS DATE: 2006/02/16 DATE: 2006/02/16 DATE: 2006/02/16
	DRAFT WHERE APPLICABLE MUST REMAIN WITHIN DIMENSIONS	SEE SHEET 2	MATERIAL NO.	DOCUMENT NO.	9.53 [.375] SR BTS ASY, INSUL. FT, W/MTG	
					MOLEX INCORPORATED	

NUMBER OF CIRCUITS 'XX'	DIM. 'A'		DIM. 'B'		DIM. 'C'		DIM. 'D'		ASSEMBLY MATERIAL NO. (STD)	ASSEMBLY MATERIAL NO. (OPT -49)	ASSEMBLY MATERIAL NO. (OPT -50)
02	40.2	[1.58]	9.53	[.375]	28.58	[1.125]	21.1	[.83]	387216702	387217002	387217302
03	49.7	[1.96]	19.05	[.750]	38.10	[1.500]	30.7	[1.21]	387216703	387217003	387217303
04	59.2	[2.33]	28.58	[1.125]	47.63	[1.875]	40.2	[1.58]	387216704	387217004	387217304
05	68.7	[2.71]	38.10	[1.500]	57.15	[2.250]	49.7	[1.96]	387216705	387217005	387217305
06	78.3	[3.08]	47.63	[1.875]	66.68	[2.625]	59.2	[2.33]	387216706	387217006	387217306
07	87.8	[3.46]	57.15	[2.250]	76.20	[3.000]	68.8	[2.71]	387216707	387217007	387217307
08	97.3	[3.83]	66.68	[2.625]	85.73	[3.375]	78.3	[3.08]	387216708	387217008	387217308
09	106.8	[4.21]	76.20	[3.000]	95.25	[3.750]	87.8	[3.46]	387216709	387217009	387217309
10	116.4	[4.58]	85.73	[3.375]	104.78	[4.125]	97.3	[3.83]	387216710	387217010	387217310
11	125.9	[4.96]	95.25	[3.750]	114.30	[4.500]	106.9	[4.21]	387216711	387217011	387217311
12	135.4	[5.33]	104.78	[4.125]	123.83	[4.875]	116.4	[4.58]	387216712	387217012	387217312
13	144.9	[5.71]	114.30	[4.500]	133.35	[5.250]	125.9	[4.96]	387216713	387217013	387217313
14	154.5	[6.08]	123.83	[4.875]	142.88	[5.625]	135.4	[5.33]	387216714	387217014	387217314
15	164.0	[6.46]	133.35	[5.250]	152.40	[6.000]	145.0	[5.71]	387216715	387217015	387217315
16	173.5	[6.83]	142.88	[5.625]	161.93	[6.375]	154.5	[6.08]	387216716	387217016	387217316
17	183.0	[7.21]	152.40	[6.000]	171.45	[6.750]	164.0	[6.46]	387216717	387217017	387217317
18	192.6	[7.58]	161.93	[6.375]	180.98	[7.125]	173.5	[6.83]	387216718	387217018	387217318
19	202.1	[7.96]	171.45	[6.750]	190.50	[7.500]	183.1	[7.21]	387216719	387217019	387217319
20	211.6	[8.33]	180.98	[7.125]	200.03	[7.875]	192.6	[7.58]	387216720	387217020	387217320
21	221.1	[8.71]	190.50	[7.500]	209.55	[8.250]	202.1	[7.96]	387216721	387217021	387217321
22	230.7	[9.08]	200.03	[7.875]	219.08	[8.625]	211.6	[8.33]	387216722	387217022	387217322
23	240.2	[9.46]	209.55	[8.250]	228.60	[9.000]	221.2	[8.71]	387216723	387217023	387217323
24	249.7	[9.83]	219.08	[8.625]	238.13	[9.375]	230.7	[9.08]	387216724	387217024	387217324
25	259.2	[10.21]	228.60	[9.000]	247.65	[9.750]	240.2	[9.46]	387216725	387217025	387217325
26	268.8	[10.58]	238.13	[9.375]	257.18	[10.125]	249.7	[9.83]	387216726	387217026	387217326

NOTES:
1. INCH DIMENSIONS SHOWN IN BRACKETS [XX].

SEE SHEET 1 EC NO: ETC2006-0262 DRAWN BY: CHYKROBERSS CHECKED BY: RDEROSS APPROVED BY: RDEROSS DATE: 2006/02/16 DATE: 2006/02/16 DATE: 2006/02/16	QUALITY SYMBOLS ▽=0 ▽=0	GENERAL TOLERANCES (UNLESS SPECIFIED)		DIMENSION STYLE MM/IN		SCALE 1:1	DESIGN UNITS INCH	THIRD ANGLE PROJECTION	
		4 PLACES ± --- ±.0002	3 PLACES ± 0.005 ±.005	DRAWN BY C. YORK	DATE 2006/02/16	TITLE 9.53 [.375] SR BTS ASY, INSUL. FT. W/MTG			
		2 PLACES ± 0.13 ±.01	1 PLACE ± 0.25 ± ---	CHECKED BY RDEROSS	DATE 2006/02/16	MOLEX INCORPORATED			
		ANGULAR ± 1°		APPROVED BY RDEROSS	DATE 2006/02/16	DOCUMENT NO. SD-38721-002			
DRAFT WHERE APPLICABLE MUST REMAIN WITHIN DIMENSIONS		MATERIAL NO. SEE CHART		SHEET NO. 2 OF 2		THIS DRAWING CONTAINS INFORMATION THAT IS PROPRIETARY TO MOLEX INCORPORATED AND SHOULD NOT BE USED WITHOUT WRITTEN PERMISSION			