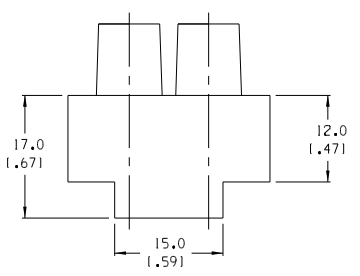
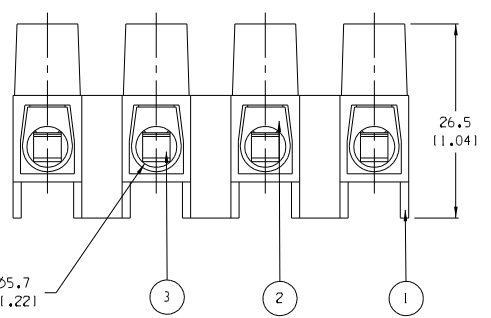
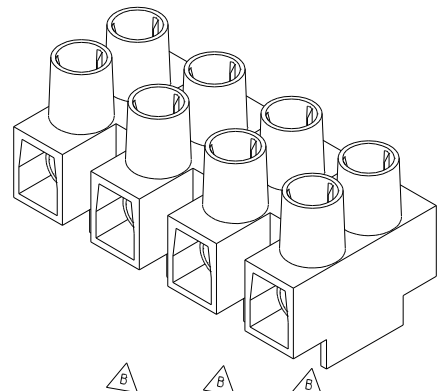


- NOTES:
1. MATERIAL: SEE TABLE
  2. FINISHES: SEE TABLE
  3. PRODUCT SPECIFICATION: NOT REQUIRED
  4. PACKAGING: NOT REQUIRED
  5. MATES WITH: NONE
  6. "XX" REFERS TO THE NUMBER OF CIRCUITS



NUMBER OF CIRCUITS	"A" DIM.	"B" DIM.	"C" DIM.	MATERIAL NUMBER
01	10.0 (1.39)	N/A	N/A	391001501
02	25.0 (1.98)	15.0 (1.5911)	N/A	391001502
03	40.0 (11.57)	30.0 (11.81)	15.0 (1.5911)	391001503
04	55.0 (12.17)	45.0 (11.72)	30.0 (11.81)	391001504
05	70.0 (12.76)	60.0 (12.362)	45.0 (11.72)	391001505
06	85.0 (13.35)	75.0 (12.953)	60.0 (12.362)	391001506
07	100.0 (13.94)	90.0 (13.543)	75.0 (12.953)	391001507
08	115.0 (14.53)	105.0 (14.134)	90.0 (13.543)	391001508
09	130.0 (15.12)	120.0 (14.724)	105.0 (14.134)	391001509
10	145.0 (15.71)	135.0 (15.315)	120.0 (14.724)	391001510
11	160.0 (16.30)	150.0 (15.906)	135.0 (15.315)	391001511
12	175.0 (16.89)	165.0 (16.496)	150.0 (15.906)	391001512

ITEM	QTY.	DESCRIPTION	MATERIAL	FINISH
4	XX*2	CLAMPING SCREWS, M5	STEEL	ZINC
3	XX	WIRE PROTECTOR	BRASS	NICKEL
2	XX	TERMINAL	BRASS	NICKEL
1	1	INSULATOR	NYLON 6	CLEAR

EC NO. ECN 4098  
 DRWG. RK 4-20-05  
 CH'YK  
 APPR: B

QUALITY SYMBOLS  
 MAJOR  
 CRITICAL  
 SPC  
 REV

GENERAL TOLERANCES: (UNLESS SPECIFIED)  
 4 PLACES ±.0015  
 3 PLACES ±.03B ±.005  
 2 PLACES ±.13 ±.01  
 1 PLACE ±.3

ANGULAR: ±2°

DRAFT WHERE APPLICABLE MUST REMAIN WITHIN DIMENSIONS

SCALE 2:1  
 DESIGN UNITS mm INCH  
 DRAWN BY & DATE J. FARMER 09-17-04  
 CHECKED BY & DATE R. KEMP 09-17-04  
 APPROVED BY & DATE GHR 09-17-04  
 CAD FILENAME 39100-15XX  
 MATERIAL NO. SEE CHART  
 DRAWING NO. SD-39100-007  
 SHEET NO. 1 OF 1  
 SIZE B

TITLE: 15 MM HIGH PROFILE WITH WIRE PROTECTORS  
 MOLEX INCORPORATED

PROJECT NO. -  
 DIMENSIONS: mm INCH  
 SHT REV  
 REVISE ON CAD ONLY