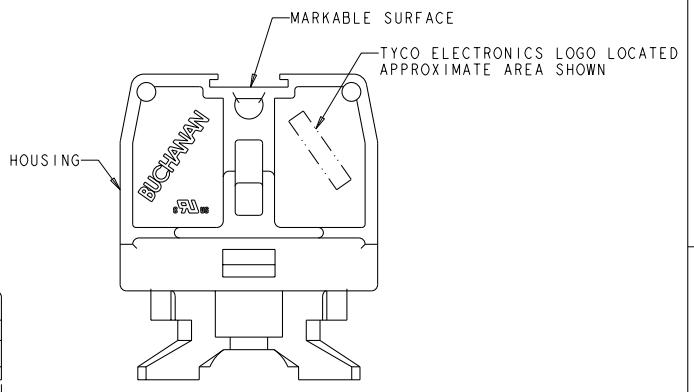
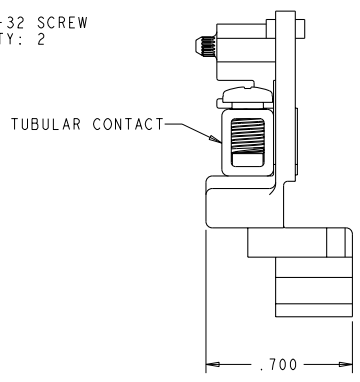
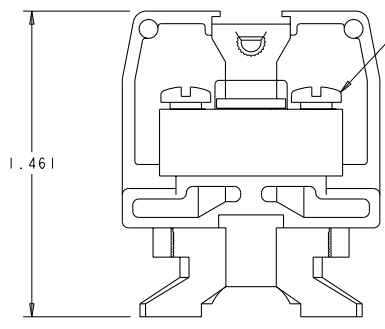
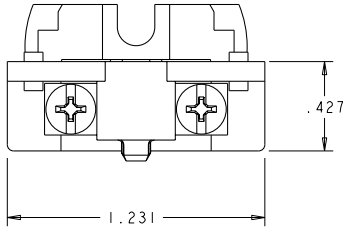


4 3 2 1

THIS DRAWING IS UNPUBLISHED. BY - RELEASED FOR PUBLICATION 20 ALL RIGHTS RESERVED.

REV	DATE	BY	APPROV
E1	17MAR2011	JK	HMR
DESCRIPTION: REVISED PER ECO-11-004917			



- △ PHYSICAL PROPERTIES (STANDARD)
HOUSING: POLYESTER, UL 94V-0 RATED, COLOR: GRAY.
TUBULAR CONTACT: COPPER ALLOY, ZINC PLATED.
SCREW: STEEL, ZINC PLATED CLEAR CHROMATE.
- △ PHYSICAL PROPERTIES (DURAMAX)
HOUSING: POLYESTER, UL 94V-0 RATED, COLOR: GRAY.
TUBULAR CONTACT: COPPER ALLOY, NICKEL PLATED.
SCREW: COPPER ALLOY, NICKEL PLATED.
- 3. MECHANICAL
PITCH: .375
MOUNTING: STANDARD CHANNEL AND CLAMP.
OPERATING TEMPERATURE: 150°C MAX.
TORQUE: RECOMMENDED TIGHTENING TORQUE IS 8 IN.-LBS.
- 4. ELECTRICAL
MAXIMUM CURRENT: 50A
OPERATING VOLTAGE: 600 V
WIRE RANGE: 8-22 AWG.
- △ SEE RESTRICTED CUSTOMER DRAWING 4-1437394-7.

-	4-1437394-7	△
△	1546148-2	
△	1546148-1	
MATERIAL / FINISH	PART NUMBER	

THIS DRAWING IS A CONTROLLED DOCUMENT.		DATE: 15JAN2002	TE Connectivity
DRAWN BY: S. WELDON		DATE: 15JAN2002	
CHECKED BY: S. YODER		DATE: 15JAN2002	ASSEMBLY, TERMINAL BLOCK, NEMA, DOVETAIL BASE, MEDIUM DUTY, TUBULAR SCREW
DESIGNED BY: S. YODER		DATE: 15JAN2002	
DIMENSIONS: INCHES		PRODUCT SPEC	SIZE: A200779 CASE CODE: C-1546148 DRAWING NO: 1546148
0 PLC ±.010 1 PLC ±.010 2 PLC ±.010 3 PLC ±.010 4 PLC ±.010 ANGLES ±.010		APPLICATION SPEC	
MATERIAL: SEE TABLE	FINISH: SEE TABLE	WEIGHT: CUSTOMER DRAWING	RESTRICTED TO: -
SCALE: 3:1			SHEET 1 OF 1