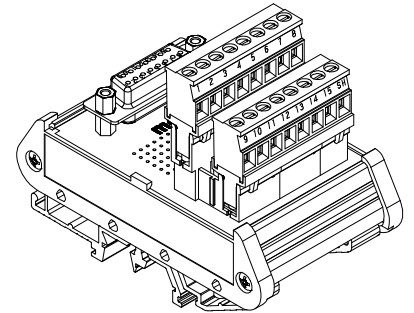
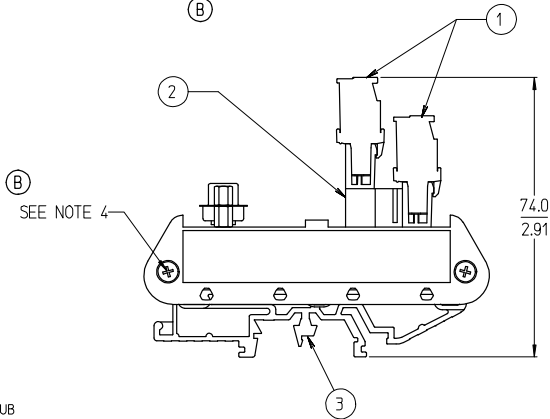
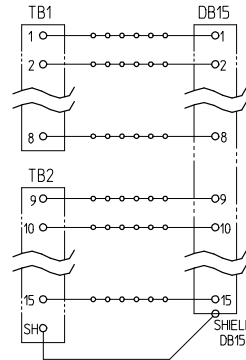


SEE NOTE 5



15 POSITION SHOWN



TYPICAL SCHEMATIC
(15 POSITION SHOWN)

NO. OF CIRCUITS	DIM. "A"	MATERIAL NUMBER
09	39.4 [1.55]	39170-3109
15	54.4 [2.14]	39170-3115
25	79.8 [3.14]	39170-3125
37	106.4 [4.19]	39170-3137

NOTES:

1. MATERIAL: SEE TABLE
2. FINISHES: SEE TABLE
3. MATES WITH: MALE D-SUB
4. END CAP MOUNT SCREW TORQUE: 0.5 N-m (4.4 lbf-in) MINIMUM
0.6 N-m (5.3 lbf-in) MAXIMUM
5. TERMINAL BLOCK SCREW TORQUE: 0.8 N-m (7.1 lbf-in)
6. 39170-3125 IS ROHS COMPLIANT, ALL OTHERS NOT REQUIRED.

ITEM	QTY.	DESCRIPTION	MATERIAL	FINISH
3	2	DIN RAIL ADAPTOR UNIT	THERMOPLASTIC	BLACK
2	1	FEMALE D-SUB TO 5.08 HEADER, PC BOARD ASSY	-	-
1	2	5.08 PLUGGABLE BTS	SEE SD-39860-004	BLACK

ADD SCREW TORQUE	QUALITY SYMBOLS
EC NO: ETC2007-0331	▽=0
DRW: CLYORK 2007/03/12	▽=0
CHKD: JMACNEIL 2007/03/14	
APPR: JMACNEIL 2007/03/15	
DESCRIPTION	
REV	

GENERAL TOLERANCES (UNLESS SPECIFIED)	
	mm INCH
4 PLACES	± .13 ± .01
3 PLACES	± .005 ± .005
2 PLACES	± .01 ± .01
1 PLACE	± .03 ± .03
ANGULAR ± 2 °	
DRAFT WHERE APPLICABLE MUST REMAIN WITHIN DIMENSIONS	

DIMENSION STYLE	
MM/IN	
DRAWN BY	DATE
C. YORK	2004/11/09
CHECKED BY	DATE
R. STONE	2004/11/16
APPROVED BY	DATE
G. ROBERTSON	2004/11/16
MATERIAL NO.	
SEE CHART	

SCALE	DESIGN UNITS	THIRD ANGLE PROJECTION
1:1	INCH	
TITLE		
DIN RAIL INTERFACE MODULE, FEMALE D-SUB TO 5.08MM VERT EURO PLUG		
MOLEX INCORPORATED		
DOCUMENT NO.	SHEET NO.	
SD-39170-001	1 OF 1	
THIS DRAWING CONTAINS INFORMATION THAT IS PROPRIETARY TO MOLEX INCORPORATED AND SHOULD NOT BE USED WITHOUT WRITTEN PERMISSION		