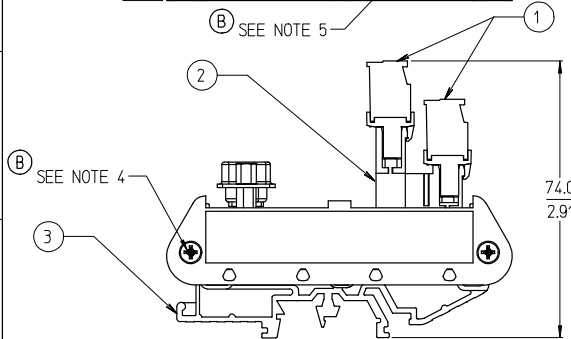


- NOTES:
1. MATERIAL: SEE TABLE
 2. FINISHES: SEE TABLE
 3. MATES WITH: 50 POSITION FEMALE D-SUB
 4. END CAP MOUNT SCREW TORQUE: 0.5 N-m (4.4 lbf-in) MINIMUM
0.6 N-m (5.3 lbf-in) MAXIMUM
 5. TERMINAL BLOCK SCREW TORQUE: 0.8 N-m (7.1 lbf-in)
 6. ASSEMBLY IS ROHS COMPLIANT.

TYPICAL SCHEMATIC



ITEM	QTY.	DESCRIPTION	MATERIAL	FINISH
3	2	DIN RAIL ADAPTOR UNIT	THERMOPLASTIC	BLACK
2	1	MALE D-SUB TO 5.08 HEADER, PC BOARD ASSY.	-	-
1	4	5.08 PLUGGABLE BTS, 13 POSITION	SEE SD-39860-004	BLACK

ADD SCREW TORQUE EC NO: ETC2007-0331 DRW: C. YORK 2007/03/17 CHKD: J. MACNEIL 2007/03/16 APPR: J. MACNEIL 2007/03/15	QUALITY SYMBOLS ▽=0 ▽=0	GENERAL TOLERANCES (UNLESS SPECIFIED)		DIMENSION STYLE MM/IN		SCALE 1:1		DESIGN UNITS INCH		THIRD ANGLE PROJECTION		
		4 PLACES ± --- ± --- 3 PLACES ± --- ± .005 2 PLACES ± 0.13 ± .01 1 PLACE ± 0.3 ± ---		DRAWN BY C. YORK 2004/11/15		DATE 2004/11/15		TITLE DIN RAIL INTERFACE MOD, 50 POSITION MALE D-SUB TO 5.08MM VERT EURO PLUG				
		ANGULAR ± 2 °		CHECKED BY R. STONE 2004/11/16		DATE 2004/11/16		MOLEX INCORPORATED				
		DRAFT WHERE APPLICABLE MUST REMAIN WITHIN DIMENSIONS		APPROVED BY G. ROBERTSON 2004/11/16		DATE 2004/11/16		MATERIAL NO. 39170-2150		DOCUMENT NO. SD-39170-009		SHEET NO. 1 OF 1