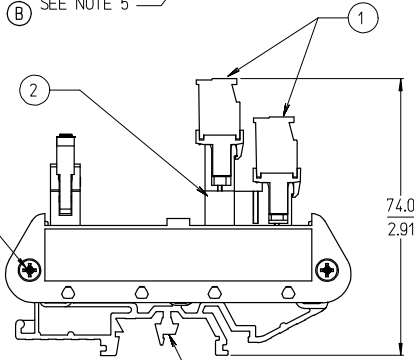
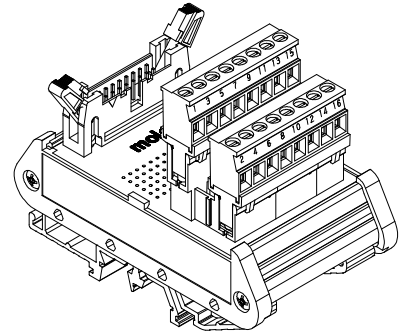


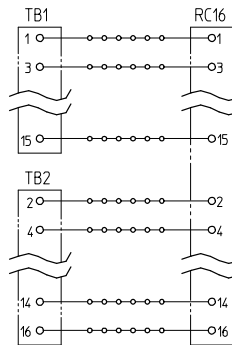
SEE NOTE 5



SEE NOTE 4



16 POSITION SHOWN



TYPICAL SCHEMATIC (16 POSITION SHOWN)

NO. OF CIRCUITS	DIM. "A"	MATERIAL NUMBER
14	50.8 [2.00]	39170-1114
16	53.3 [2.10]	39170-1116
20	61.0 [2.40]	39170-1120
26	76.2 [3.00]	39170-1126
34	95.0 [3.74]	39170-1134
40	111.5 [4.39]	39170-1140
50	135.6 [5.34]	39170-1150

NOTES:

1. MATERIAL: SEE TABLE
2. FINISHES: SEE TABLE
3. MATES WITH: RIBBON CABLE
4. END CAP MOUNT SCREW TORQUE: 0.5 N-m (4.4 lbf-in) MINIMUM
0.6 N-m (5.3 lbf-in) MAXIMUM
5. TERMINAL BLOCK SCREW TORQUE: 0.8 N-m (7.1 lbf-in)
6. ASSEMBLY ROHS COMPLIANCE NOT REQUIRED.

ADD SCREW TORQUE
 EC NO: ETC2007-0331
 DRAWN: C. YORK 2007/03/12
 CHECKED: J. MACNEIL 2007/03/14
 APPR: J. MACNEIL 2007/03/15

QUALITY SYMBOLS
 ▽=0
 ▽=0

GENERAL TOLERANCES (UNLESS SPECIFIED)

	mm	INCH
4 PLACES	± .10	± .004
3 PLACES	± .15	± .005
2 PLACES	± 0.13	± .01
1 PLACE	± 0.3	± .012
ANGULAR ± 2 °		

DRAFT WHERE APPLICABLE
 MUST REMAIN WITHIN DIMENSIONS

DIMENSION STYLE MM/IN
 SCALE 1:1
 DESIGN UNITS INCH
 THIRD ANGLE PROJECTION
 DRAWN BY C. YORK DATE 2004/11/10
 CHECKED BY R. STONE DATE 2004/11/16
 APPROVED BY G. ROBERTSON DATE 2004/11/16
 MATERIAL NO. SEE CHART

TITLE
 DIN RAIL INTERFACE
 MODULE, RIBBON CABLE TO
 5.08MM VERT EURO PLUG
 MOLEX INCORPORATED
 DOCUMENT NO. SD-39170-006
 SHEET NO. 1 OF 1

ITEM	QTY.	DESCRIPTION	MATERIAL	FINISH
3	2	DIN RAIL ADAPTOR UNIT	THERMOPLASTIC	BLACK
2	1	RIBBON CABLE TO 5.08 HEADER, PC BOARD ASSY.	-	-
1	2	5.08 PLUGGABLE BTS	SEE SD-39860-004	BLACK