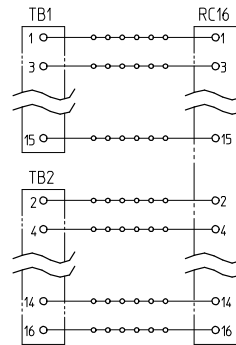
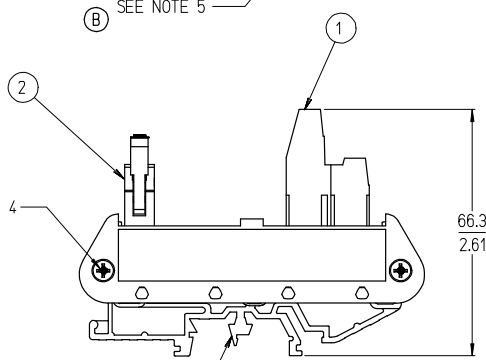


16 POSITION SHOWN

NO. OF CIRCUITS	DIM. "A"	MATERIAL NUMBER
14	50.8 [2.00]	39170-1014
16	53.3 [2.10]	39170-1016
20	61.0 [2.40]	39170-1020
26	76.2 [3.00]	39170-1026
34	95.0 [3.74]	39170-1034
40	111.5 [4.39]	39170-1040
50	135.6 [5.34]	39170-1050



TYPICAL SCHEMATIC  
(16 POSITION SHOWN)

NOTES:

1. MATERIAL: SEE TABLE
2. FINISHES: SEE TABLE
3. MATES WITH: RIBBON CABLE
4. END CAP MOUNT SCREW TORQUE: 0.5 N-m (4.4 lbf-in) MINIMUM  
0.6 N-m (5.3 lbf-in) MAXIMUM
5. TERMINAL BLOCK SCREW TORQUE: 0.8 N-m (7.1 lbf-in)
6. 39170-1050 IS ROHS COMPLIANT, ALL OTHERS NOT REQUIRED.

ADD SCREW TORQUE  
EC NO: ETC2007-0331  
DRAWN: C. YORK 2007/03/12  
CHKD: J. MACNEIL 2007/03/14  
APPR: J. MACNEIL 2007/03/15

QUALITY SYMBOLS  
▽=0  
▽=0

GENERAL TOLERANCES (UNLESS SPECIFIED)

	mm	INCH
4 PLACES	± .10	± .004
3 PLACES	± .15	± .005
2 PLACES	± 0.13	± .01
1 PLACE	± 0.3	± .012
ANGULAR ± 2 °		

DRAFT WHERE APPLICABLE  
MUST REMAIN WITHIN DIMENSIONS

DIMENSION STYLE  
MM/IN

DRAWN BY C. YORK DATE 2004/11/10  
CHECKED BY R. STONE DATE 2004/11/16  
APPROVED BY G. ROBERTSON DATE 2004/11/16

MATERIAL NO. SEE CHART

SCALE 1:1 DESIGN UNITS INCH THIRD ANGLE PROJECTION

TITLE  
DIN RAIL INTERFACE MODULE, RIBBON CABLE TO 5.08MM DUAL LEV. FIXED

MOLEX INCORPORATED

DOCUMENT NO. SD-39170-005 SHEET NO. 1 OF 1

THIS DRAWING CONTAINS INFORMATION THAT IS PROPRIETARY TO MOLEX INCORPORATED AND SHOULD NOT BE USED WITHOUT WRITTEN PERMISSION

ITEM	QTY.	DESCRIPTION	MATERIAL	FINISH
3	2	DIN RAIL ADAPTOR UNIT	THERMOPLASTIC	BLACK
2	1	RIBBON CABLE TO 5.08 FIXED, PC BOARD ASSY.	-	-
1	1	5.08 FIXED DUAL LEVEL BTS	SEE SD-39880-006	BLACK