

## DFLK 50

Order No.: 2280284



<http://eshop.phoenixcontact.de/phoenix/treeViewClick.do?UID=2280284>

VARIOFACE panel feed-through module, for direct coupling of single signal lines of up to 2.5 mm<sup>2</sup> to flat-ribbon cable plug connector, 50-pos.

Commercial data	
EAN	4017918054397
Pack	5 pcs.
Customs tariff	85369010
Weight/Piece	0.1554 KG
Catalog page information	Page 283 (IF-2009)

### Product notes

WEEE/RoHS-compliant since:  
11/23/2007



<http://www.download.phoenixcontact.com>  
Please note that the data given here has been taken from the online catalog. For comprehensive information and data, please refer to the user documentation. The General Terms and Conditions of Use apply to Internet downloads.

Technical data	
<b>General data</b>	
Nominal voltage U <sub>N</sub>	< 50 V AC
	60 V DC
Max. current carrying capacity per branch	1 A
Number of positions	50

Width	39 mm
Height	49 mm
Depth	143.4 mm
Status display	No
Ambient temperature (operation)	-20 °C ... 45 °C
Ambient temperature (storage/transport)	-20 °C ... 70 °C
Test voltage	500 V (50 Hz, 1 min.)
Mounting position	Any
Standards/regulations	IEC 60664
	DIN EN 50178
	IEC 62103

**Connection data**

Connection 1	PCB connection
Connection in acc. with standard	IEC / EN
Type of connection	Screw connection
Conductor cross section solid min.	0.2 mm <sup>2</sup>
Conductor cross section solid max.	4 mm <sup>2</sup>
Conductor cross section stranded min.	0.2 mm <sup>2</sup>
Conductor cross section stranded max.	2.5 mm <sup>2</sup>
Conductor cross section AWG/kcmil min.	24
Conductor cross section AWG/kcmil max	12
Stripping length	8 mm
Screw thread	M3
Connection 2	Flat-ribbon cable connector in acc. with IEC 60603-13
Number of connections	1
Number of positions	50

**Certificates / Approvals**

Certification

GOST

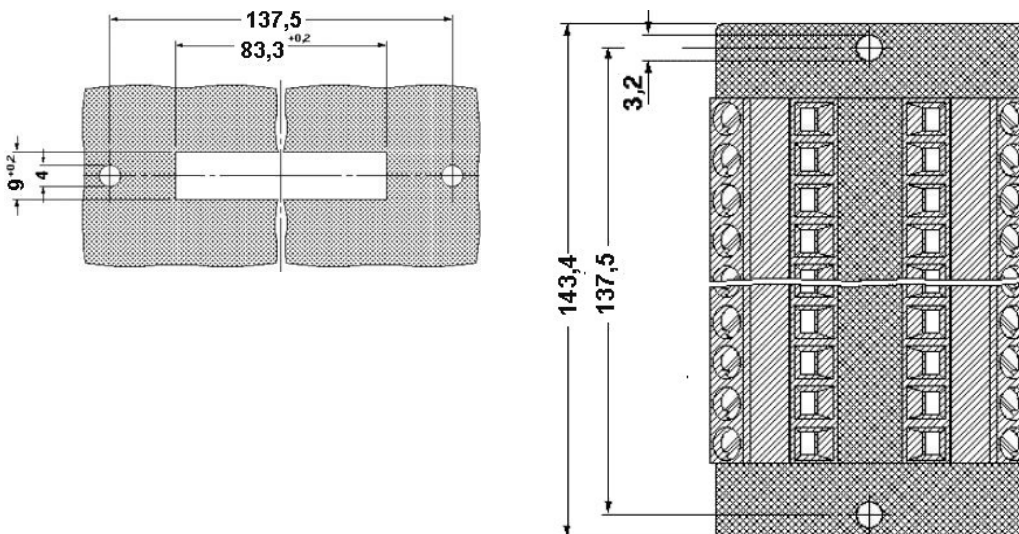
**Accessories**

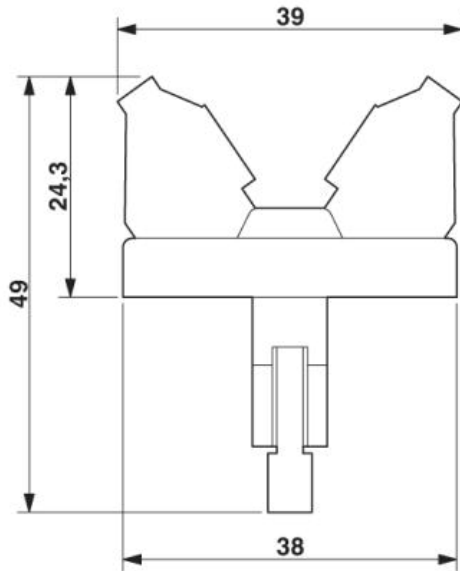
Item	Designation	Description
<b>Cable/conductor</b>		
2289065	FLK 50/EZ-DR/ 50/KONFEK	Round cable set, with two 50-pos. socket strips (1:1 connection), for connecting 32 channels, cable length: 0.5 m
2299097	FLK 50/EZ-DR/ 50/KONFEK/S	Round shielded cable set, with two 50-pos. socket strips (1:1 connection), for connecting 32 channels, cable length: 0.5 m
2289078	FLK 50/EZ-DR/ 100/KONFEK	Round cable sets, with two 50-pos. socket strips (1:1 connection), for connecting 32 channels, cable length: 1 m
2299107	FLK 50/EZ-DR/ 100/KONFEK/S	Round shielded cable set, with two 50-pos. socket strips (1:1 connection), for connecting 32 channels, cable length: 1 m
2289081	FLK 50/EZ-DR/ 150/KONFEK	Round cable set, with two 50-pos. socket strips (1:1 connection), for connecting 32 channels, cable length: 1.5 m
2299110	FLK 50/EZ-DR/ 150/KONFEK/S	Round shielded cable set, with two 50-pos. socket strips (1:1 connection), for connecting 32 channels, cable length: 1.5 m
2289094	FLK 50/EZ-DR/ 200/KONFEK	Round cable sets, with two 50-pos. socket strips (1:1 connection), for connecting 32 channels, cable length: 2 m
2299123	FLK 50/EZ-DR/ 200/KONFEK/S	Round shielded cable set, with two 50-pos. socket strips (1:1 connection), for connecting 32 channels, cable length: 2 m
2289104	FLK 50/EZ-DR/ 250/KONFEK	Round cable set, with two 50-pos. socket strips (1:1 connection), for connecting 32 channels, cable length: 2.5 m
2289117	FLK 50/EZ-DR/ 300/KONFEK	Round cable sets, with two 50-pos. socket strips (1:1 connection), for connecting 32 channels, cable length: 3 m
2299136	FLK 50/EZ-DR/ 300/KONFEK/S	Round shielded cable set, with two 50-pos. socket strips (1:1 connection), for connecting 32 channels, cable length: 3 m
2289120	FLK 50/EZ-DR/ 350/KONFEK	Round cable set, with two 50-pos. socket strips (1:1 connection), for connecting 32 channels, cable length: 3.5 m
2289133	FLK 50/EZ-DR/ 400/KONFEK	Round cable set, with two 50-pos. socket strips (1:1 connection), for connecting 32 channels, cable length: 4 m
2299149	FLK 50/EZ-DR/ 400/KONFEK/S	Round shielded cable set, with two 50-pos. socket strips (1:1 connection), for connecting 32 channels, cable length: 4 m
2289573	FLK 50/EZ-DR/ 450/KONFEK	Round cable set, with two 50-pos. socket strips (1:1 connection), for connecting 32 channels, cable length: 4,5 m
2289586	FLK 50/EZ-DR/ 500/KONFEK	Round cable set, with two 50-pos. socket strips (1:1 connection), for connecting 32 channels, cable length: 5 m
2289599	FLK 50/EZ-DR/ 550/KONFEK	Round cable set, with two 50-pos. socket strips (1:1 connection), for connecting 32 channels, cable length: 5,5 m
2289609	FLK 50/EZ-DR/ 600/KONFEK	Round cable set, with two 50-pos. socket strips (1:1 connection), for connecting 32 channels, cable length: 6 m
2299152	FLK 50/EZ-DR/ 600/KONFEK/S	Round shielded cable set, with two 50-pos. socket strips (1:1 connection), for connecting 32 channels, cable length: 6 m

2289612	FLK 50/EZ-DR/ 650/KONFEK	Round cable set, with two 50-pos. socket strips (1:1 connection), for connecting 32 channels, cable length: 6.5 m
2289625	FLK 50/EZ-DR/ 700/KONFEK	Round cable set, with two 50-pos. socket strips (1:1 connection), for connecting 32 channels, cable length: 7 m
2289638	FLK 50/EZ-DR/ 750/KONFEK	Round cable set, with two 50-pos. female connectors (1:1 connection), for connecting 32 channels, cable length: 7.5 m
2289641	FLK 50/EZ-DR/ 800/KONFEK	Round cable sets, with two 50-pos. socket strips (1:1 connection), for connecting 32 channels, cable length: 8 m
2299165	FLK 50/EZ-DR/ 800/KONFEK/S	Round shielded cable set, with two 50-pos. socket strips (1:1 connection), for connecting 32 channels, cable length: 8 m
2289654	FLK 50/EZ-DR/ 850/KONFEK	Round cable set, with two 50-pos. socket strips (1:1 connection), for connecting 32 channels, cable length: 8.5 m
2289667	FLK 50/EZ-DR/ 900/KONFEK	Round cable set, with two 50-pos. socket strips (1:1 connection), for connecting 32 channels, cable length: 9 m
2289670	FLK 50/EZ-DR/ 950/KONFEK	Round cable set, with two 50-pos. socket strips (1:1 connection), for connecting 32 channels, cable length: 9.5 m
2289683	FLK 50/EZ-DR/1000/KONFEK	Round cable set, with two 50-pos. socket strips (1:1 connection), for connecting 32 channels, cable length: 10 m
2299178	FLK 50/EZ-DR/1000/KONFEK/S	Round shielded cable set, with two 50-pos. socket strips (1:1 connection), for connecting 32 channels, cable length: 10 m
2295046	FLK EZ-DR-S.../.../...	Round cable, with preassembly, shielded, variable cable length
2295059	FLK EZ-DR.../.../...	Round cable, with preassembly, not shielded, variable cable length

### Diagrams/Drawings

#### Dimensioned drawing





**Address**

PHOENIX CONTACT Inc., USA  
586 Fulling Mill Road  
Middletown, PA 17057, USA  
Phone (800) 888-7388  
Fax (717) 944-1625  
<http://www.phoenixcon.com>



© 2010 Phoenix Contact  
Technical modifications reserved;