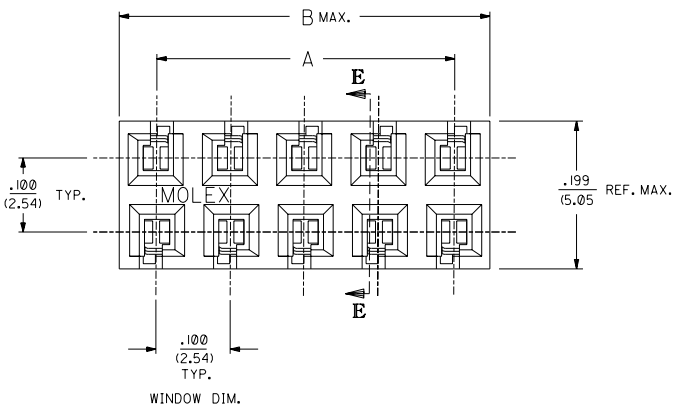
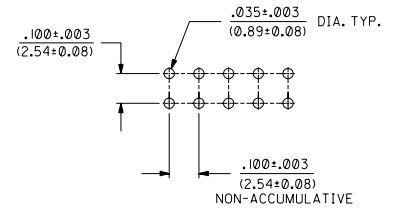


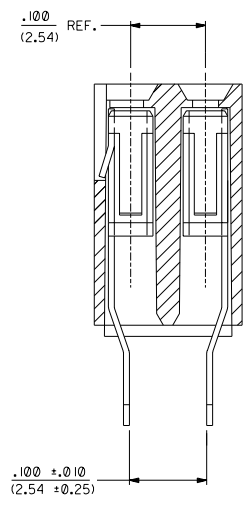
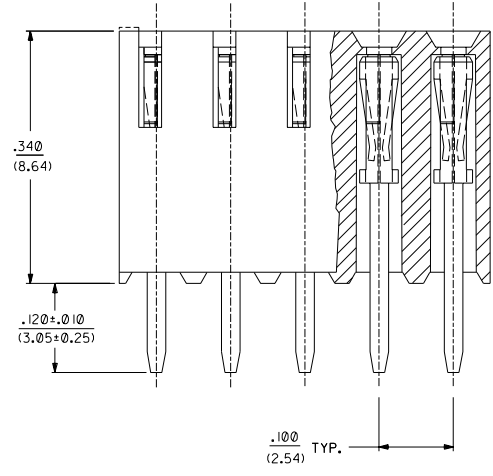
13 12 11 10 9 8 7 6 70192 4 3 2 1



- NOTES:
- 1 - HOUSING MATERIAL: GLASS FILLED POLYESTER, UL 94V-0. COLOR: BLACK
 - 2 - TERMINAL MATERIAL: PHOSPHOR BRONZE
 - 3 - SEE ADDITIONAL SHEETS FOR CHARTS, PLATINGS, AND OVERALL DIMENSIONS
 - 4 - THIS PRODUCT CONFORMS TO PS-70181.



RECOMMENDED P.C. BOARD HOLE LAYOUT
SCALE = 4:1



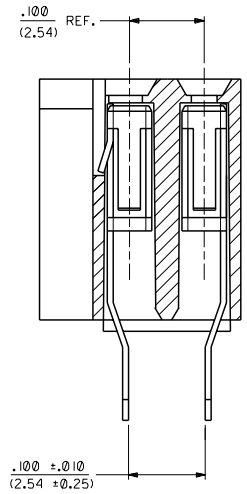
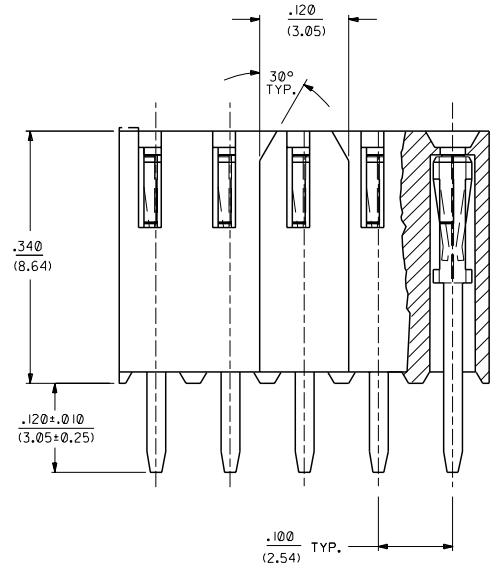
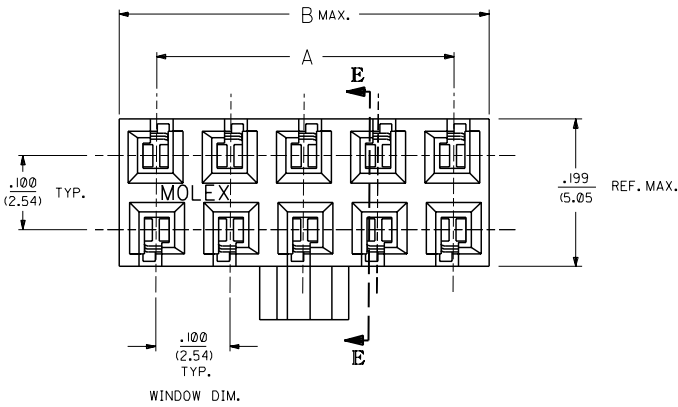
SECTION E-E

| | |
|-----------|--|
| C | LEAD FREE IPC2004-1770 RWHITE 04/04/28 |
| B | CHANGE PACK SPEC ECN# UD2000-0503 DMORGAN 09/12/93 |
| 3 | C |
| 2 | A |
| 1 | C |
| 0 | LTR. |
| REVISIONS | |

| | | | | |
|--|-------------|--------------------------------|-------|-----------------------------|
| DIMENSIONS SHOWN (METRIC) INCH | | ▽ = 0 | ▼ = 0 | REVISION ONLY ON CAD SYSTEM |
| UNLESS OTHERWISE SPECIFIED TOLERANCES ANGULAR ± 1/2° | | | | |
| INCH METRIC | | | | |
| 3 PLACE ± | 0.10 --- | | | |
| 2 PLACE ± | 0.14 ± 0.25 | | | |
| 1 PLACE --- | ± 0.35 | | | |
| DRAFT WHERE APPLICABLE MUST REMAIN WITHIN DIMENSIONS | | | | |
| ORIG. BY | PM | CHK'D. BY | PM | DATE |
| APP'D. BY | PM | SCALE | 10:1 | 1 OF 3 |
| MOLEX INCORPORATED LITTLE ROCK, AR 72616 | | SHEET NO. 1 OF 3 DATE 09/10/93 | | |
| SEE CHART | | PART NO. SDA-70192 | | |
| NO DRAWING CONTAINS INFORMATION THAT IS PROPRIETARY TO MOLEX INC. AND SHOULD NOT BE USED WITHOUT WRITTEN PERMISSION. | | DIV. DA | | |

13 12 11 10 9 8 7 6 5 4 3 2 1

13 12 11 10 9 8 7 6 70192 4 3 2 1



NOTES:
1 - SEE SHEET 1 FOR APPLICABLE NOTES.

**SINGAPORE ONLY
OPTION -F-
WITH POLARIZING KEY**

A SEE SHEET 1

SECTION E-E

| | | | | |
|--|----|--------------------------|---------------------------|---------------|
| MFG. SH. | | REV. | LTR. | REVISIONS |
| ▽ = 0 | | ▽ = 0 | REVISE ONLY ON CAD SYSTEM | |
| DIMENSIONS SHOWN METRIC INCH | | | | |
| UNLESS OTHERWISE SPECIFIED TOLERANCES ANGULAR 1/2° | | | | |
| 3 PLACE ± | | INCH | | METRIC |
| 2 PLACE ± | | : | | : |
| 1 PLACE ± | | : | | : |
| DRAFT WHERE APPLICABLE MUST REMAIN WITHIN DIMENSIONS | | | | |
| DRWG. BY | PM | CHK'D. BY | PM | FILE NAME |
| APP'D. BY | PM | SCALE | : | SATD152X2 DCH |
| MOLEX INCORPORATED | | SHEET NO. 2 | | DATE 07/17/90 |
| PART NO. 68532 | | DRWG. NO. SDA-70192-0000 | | SIZE DA C |
| THIS DRAWING CONTAINS INFORMATION THAT IS PROPRIETARY TO MOLEX INC. AND SHOULD NOT BE USED WITHOUT WRITTEN PERMISSION DA C | | | | |

13 12 11 10 9 8 7 6 5 4 3 2 1

| CKT SIZE | | PLATING: TIN PACKAGING: PK-70873-0660 | | PLATING: 15 GOLD PACKAGING: PK-70873-0660 | | PLATING: 30 GOLD PACKAGING: PK-70873-0660 | | OPTION F ASSEMBLY TOOLED IN SINGAPORE ONLY (SEE SHEET 2 FOR GEOMETRY) | | DIM."A" | | DIM."B" | |
|----------|-------|--|--------------|--|--------------|--|--------------|---|--------------|---------|-------|---------|--------|
| PER ROW | TOTAL | EDP NO. | ENG NO. | EDP NO. | ENG NO. | EDP NO. | ENG NO. | EDP NO. | ENG NO. | INCH | MM | INCH | MM |
| 02 | 04 | 15-45-1302 | A-70192-0065 | 15-44-3202 | A-70192-0129 | 15-44-4502 | A-70192-0193 | | | .100 | 2.54 | .199 | 5.05 |
| 03 | 06 | 15-45-1303 | A-70192-0066 | 15-44-3203 | A-70192-0130 | 15-44-4503 | A-70192-0194 | | | .200 | 5.08 | .299 | 7.59 |
| 04 | 08 | 15-45-1304 | A-70192-0067 | 15-44-3204 | A-70192-0131 | 15-44-4504 | A-70192-0195 | | | .300 | 7.62 | .399 | 10.13 |
| 05 | 10 | 15-45-1305 | A-70192-0068 | 15-44-3205 | A-70192-0132 | 15-44-4505 | A-70192-0196 | | | .400 | 10.16 | .499 | 12.67 |
| 06 | 12 | 15-45-1306 | A-70192-0069 | 15-44-3206 | A-70192-0133 | 15-44-4506 | A-70192-0197 | | | .500 | 12.70 | .599 | 15.21 |
| 07 | 14 | 15-45-1307 | A-70192-0070 | 15-44-3207 | A-70192-0134 | 15-44-4507 | A-70192-0198 | | | .600 | 15.24 | .699 | 17.75 |
| 08 | 16 | 15-45-1308 | A-70192-0071 | 15-44-3208 | A-70192-0135 | 15-44-4508 | A-70192-0199 | | | .700 | 17.78 | .799 | 20.29 |
| 09 | 18 | 15-45-1309 | A-70192-0072 | 15-44-3209 | A-70192-0136 | 15-44-4509 | A-70192-0200 | | | .800 | 20.32 | .899 | 22.83 |
| 10 | 20 | 15-45-1310 | A-70192-0073 | 15-44-3210 | A-70192-0137 | 15-44-4510 | A-70192-0201 | | | .900 | 22.86 | .999 | 25.37 |
| 11 | 22 | 15-45-1311 | A-70192-0074 | 15-44-3211 | A-70192-0138 | 15-44-4511 | A-70192-0202 | | | 1.000 | 25.40 | 1.099 | 27.91 |
| 12 | 24 | 15-45-1312 | A-70192-0075 | 15-44-3212 | A-70192-0139 | 15-44-4512 | A-70192-0203 | | | 1.100 | 27.94 | 1.199 | 30.45 |
| 13 | 26 | 15-45-1313 | A-70192-0076 | 15-44-3213 | A-70192-0140 | 15-44-4513 | A-70192-0204 | | | 1.200 | 30.48 | 1.299 | 32.99 |
| 14 | 28 | 15-45-1314 | A-70192-0077 | 15-44-3214 | A-70192-0141 | 15-44-4514 | A-70192-0205 | | | 1.300 | 33.02 | 1.399 | 35.53 |
| 15 | 30 | 15-45-1315 | A-70192-0078 | 15-44-3215 | A-70192-0142 | 15-44-4515 | A-70192-0206 | | | 1.400 | 35.56 | 1.499 | 38.07 |
| 16 | 32 | 15-45-1316 | A-70192-0079 | 15-44-3216 | A-70192-0143 | 15-44-4516 | A-70192-0207 | | | 1.500 | 38.10 | 1.599 | 40.61 |
| 17 | 34 | 15-45-1317 | A-70192-0080 | 15-44-3217 | A-70192-0144 | 15-44-4517 | A-70192-0208 | | | 1.600 | 40.64 | 1.699 | 43.15 |
| 18 | 36 | 15-45-1318 | A-70192-0081 | 15-44-3218 | A-70192-0145 | 15-44-4518 | A-70192-0209 | | | 1.700 | 43.18 | 1.799 | 45.69 |
| 19 | 38 | 15-45-1319 | A-70192-0082 | 15-44-3219 | A-70192-0146 | 15-44-4519 | A-70192-0210 | | | 1.800 | 45.72 | 1.899 | 48.23 |
| 20 | 40 | 15-45-1320 | A-70192-0083 | 15-44-3220 | A-70192-0147 | 15-44-4520 | A-70192-0211 | | | 1.900 | 48.26 | 1.999 | 50.77 |
| 21 | 42 | 15-45-1321 | A-70192-0084 | 15-44-3221 | A-70192-0148 | 15-44-4521 | A-70192-0212 | | | 2.000 | 50.80 | 2.099 | 53.31 |
| 22 | 44 | 15-45-1322 | A-70192-0085 | 15-44-3222 | A-70192-0149 | 15-44-4522 | A-70192-0213 | | | 2.100 | 53.34 | 2.199 | 55.85 |
| 23 | 46 | 15-45-1323 | A-70192-0086 | 15-44-3223 | A-70192-0150 | 15-44-4523 | A-70192-0214 | | | 2.200 | 55.88 | 2.299 | 58.39 |
| 24 | 48 | 15-45-1324 | A-70192-0087 | 15-44-3224 | A-70192-0151 | 15-44-4524 | A-70192-0215 | | | 2.300 | 58.42 | 2.399 | 60.93 |
| 25 | 50 | 15-45-1325 | A-70192-0088 | 15-44-3225 | A-70192-0152 | 15-44-4525 | A-70192-0216 | 15-44-6625 | A-70192-0280 | 2.400 | 60.96 | 2.499 | 63.47 |
| 26 | 52 | 15-45-1326 | A-70192-0089 | 15-44-3226 | A-70192-0153 | 15-44-4526 | A-70192-0217 | | | 2.500 | 63.50 | 2.599 | 66.01 |
| 27 | 54 | 15-45-1327 | A-70192-0090 | 15-44-3227 | A-70192-0154 | 15-44-4527 | A-70192-0218 | | | 2.600 | 66.04 | 2.699 | 68.55 |
| 28 | 56 | 15-45-1328 | A-70192-0091 | 15-44-3228 | A-70192-0155 | 15-44-4528 | A-70192-0219 | | | 2.700 | 68.58 | 2.799 | 71.09 |
| 29 | 58 | 15-45-1329 | A-70192-0092 | 15-44-3229 | A-70192-0156 | 15-44-4529 | A-70192-0220 | | | 2.800 | 71.12 | 2.899 | 73.63 |
| 30 | 60 | 15-45-1330 | A-70192-0093 | 15-44-3230 | A-70192-0157 | 15-44-4530 | A-70192-0221 | | | 2.900 | 73.66 | 2.999 | 76.17 |
| 31 | 62 | 15-45-1331 | A-70192-0094 | 15-44-3231 | A-70192-0158 | 15-44-4531 | A-70192-0222 | | | 3.000 | 76.20 | 3.099 | 78.71 |
| 32 | 64 | 15-45-1332 | A-70192-0095 | 15-44-3232 | A-70192-0159 | 15-44-4532 | A-70192-0223 | | | 3.100 | 78.74 | 3.199 | 81.25 |
| 33 | 66 | 15-45-1333 | A-70192-0096 | 15-44-3233 | A-70192-0160 | 15-44-4533 | A-70192-0224 | | | 3.200 | 81.28 | 3.299 | 83.79 |
| 34 | 68 | 15-45-1334 | A-70192-0097 | 15-44-3234 | A-70192-0161 | 15-44-4534 | A-70192-0225 | | | 3.300 | 83.82 | 3.399 | 86.33 |
| 35 | 70 | 15-45-1335 | A-70192-0098 | 15-44-3235 | A-70192-0162 | 15-44-4535 | A-70192-0226 | | | 3.400 | 86.36 | 3.499 | 88.87 |
| 36 | 72 | 15-45-1336 | A-70192-0099 | 15-44-3236 | A-70192-0163 | 15-44-4536 | A-70192-0227 | | | 3.500 | 88.90 | 3.599 | 91.41 |
| 37 | 74 | 15-45-1337 | A-70192-0100 | 15-44-3237 | A-70192-TIN | 15-44-4537 | A-70192-0228 | | | 3.600 | 91.44 | 3.699 | 93.95 |
| 38 | 76 | 15-45-1338 | A-70192-0101 | 15-44-3238 | A-70192-0165 | 15-44-4538 | A-70192-0229 | | | 3.700 | 93.98 | 3.799 | 96.49 |
| 39 | 78 | 15-45-1339 | A-70192-0102 | 15-44-3239 | A-70192-0166 | 15-44-4539 | A-70192-0230 | | | 3.800 | 96.52 | 3.899 | 99.03 |
| 40 | 80 | 15-45-1340 | A-70192-0103 | 15-44-3240 | A-70192-0167 | 15-44-4540 | A-70192-0231 | | | 3.900 | 99.06 | 3.999 | 101.57 |

*THE PRIMARY SHIPPING CARTON WILL BE LABELED "COMPLIANT TO RoHS DIRECTIVE 2002/95/EC AND ELV ANNEX II OF DIRECTIVE 2000/53/EC". CARTONS WITHOUT THIS LABEL MAY CONTAIN PRODUCT WITH LEAD.

PLATING:

| | | |
|---------|---|--|
| TIN | (3.75 MICROMETER)/150 MICROINCH MINIMUM TIN OVER | |
| | (1.25 MICROMETER)/50 MICROINCH MINIMUM NICKEL OVERALL. | |
| 15 GOLD | (0.37 MICROMETER)/15 MICROINCH MINIMUM SELECTIVE GOLD IN THE CONTACT AREA; | |
| | (1.88 MICROMETER)/75 MICROINCH MINIMUM SELECTIVE TIN IN THE PC TAIL AREA OVER | |
| | (1.25 MICROMETER)/50 MICROINCH MINIMUM NICKEL OVERALL. | |
| 30 GOLD | (0.75 MICROMETER)/30 MICROINCH MINIMUM SELECTIVE GOLD IN THE CONTACT AREA; | |
| | (1.88 MICROMETER)/75 MICROINCH MINIMUM SELECTIVE TIN IN THE PC TAIL AREA OVER | |
| | (1.25 MICROMETER)/50 MICROINCH MINIMUM NICKEL OVERALL. | |

| | | | | | | | | | | | | | | | |
|--|--|-------------------------|--|--------------------------|--|----------------|--|---------------------------|--|---|--|--------------------|--|--------------------------------------|--|
| DIMENSIONS SHOWN METRIC INCH | | REVISIONS | | REVISIONS | | REVISIONS | | REVISIONS | | REVISIONS | | REVISIONS | | REVISIONS | |
| UNLESS OTHERWISE SPECIFIED TOLERANCES: ANGULAR ± 1/2° | | C SEE SHEET 1 | | B SEE SHEET 1 | | A SEE SHEET 1 | | LTR. | | LTR. | | LTR. | | LTR. | |
| DRAFT WHERE APPLICABLE MUST REMAIN WITHIN DIMENSIONS | | APP'D BY: MCB | | SCALE: 10:1 | | DATE: 07/17/90 | | FILE NAME: SDA70192X3.DWG | | NO DIMENSIONS INFORMATION THAT IS PROPRIETARY TO MOLEX INC. AND SHOULD NOT BE USED WITHOUT WRITTEN PERMISSION | | DA | | C | |
| TITLE: VERTICAL MOUNT ASSY DUAL ROW TOP ENTRY .100 X .100 P.C. TAIL GRID | | PART NO. SDA-70192-0000 | | DRWG. NO. SDA-70192-0000 | | SHEET NO. 3 | | DATE: 07/17/90 | | U.S.A. | | MOLEX INCORPORATED | | 15151 E. 15TH AVE. CHICAGO, IL 60632 | |