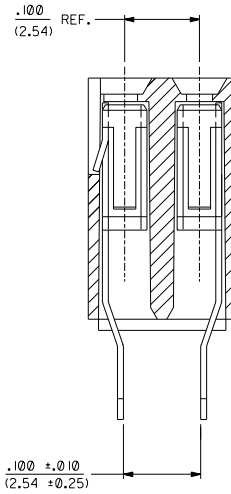
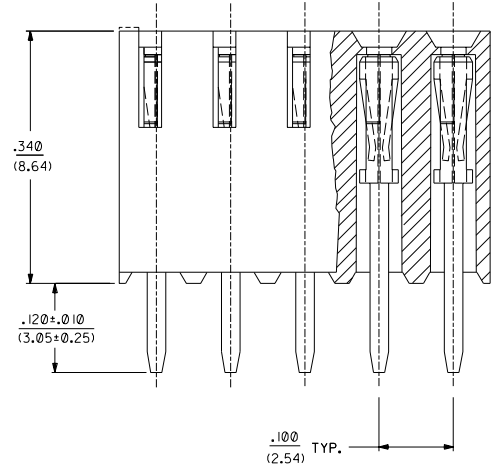
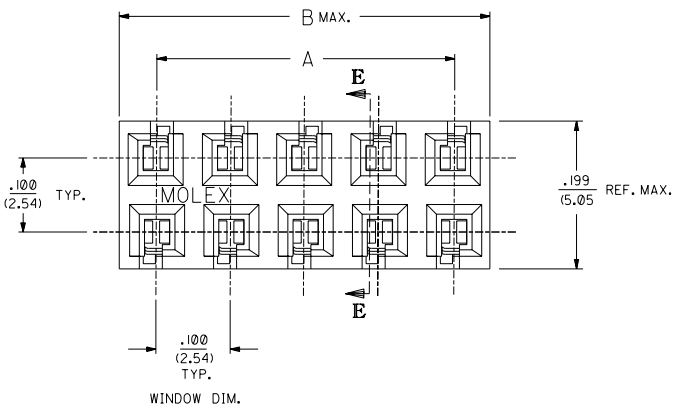
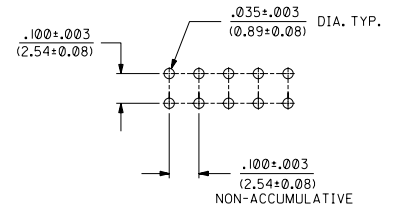


13 12 11 10 9 8 7 6 70192 4 3 2 1



- NOTES:
- 1 - HOUSING MATERIAL: GLASS FILLED POLYESTER, UL 94V-0. COLOR: BLACK
 - 2 - TERMINAL MATERIAL: PHOSPHOR BRONZE
 - 3 - SEE ADDITIONAL SHEETS FOR CHARTS, PLATINGS, AND OVERALL DIMENSIONS
 - 4 - THIS PRODUCT CONFORMS TO PS-70181.



RECOMMENDED P.C. BOARD HOLE LAYOUT
SCALE = 4:1

SECTION E-E

C	LEAD FREE IPC2004-1770 RWHITE 04/04/28			
B	CHANGE PACK SPEC ECN# UD2000-0503 DMORGAN 09/12/93			
A	REVISE PLATE & BOX PER US 0572 09/10/93 MURPHY			
3	C			
2	A			
1	C			
MFGR.	SH.	REV.	LTR.	REVISIONS

MOLEX INCORPORATED
1315 E. 15th St. Lincoln, NE 68502

CONTRACTOR VERT MOUNT DUAL ROW (TOP ENTRY) .100 X .100 P.C. TAIL GRID

SEE CHART SDA-70192

DATE: 09/10/93

SHEET NO. 1 OF 3

DRG. NO. 68532

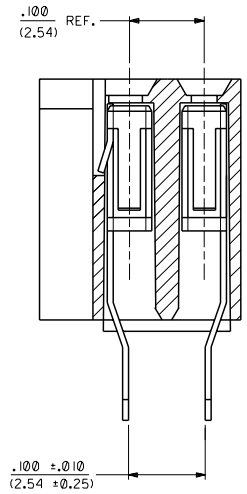
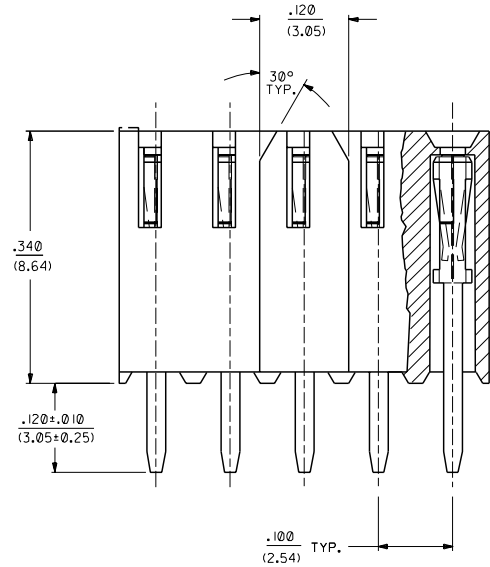
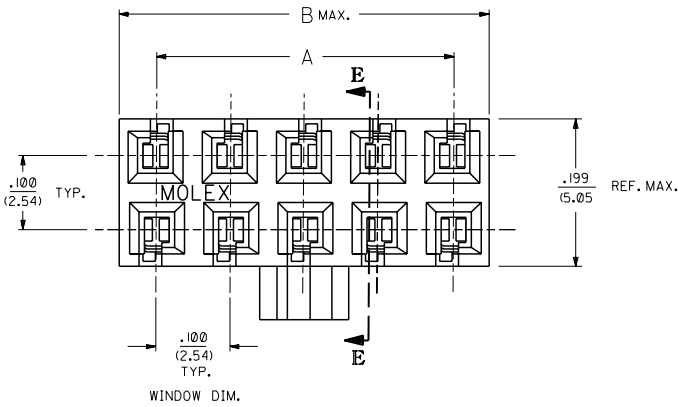
FILE NAME: SAT70192X1.DWG

APP'D. BY: PM SCALE: 10:1

NO DRAWING CONTAINS INFORMATION THAT IS PROPRIETARY TO MOLEX INC. AND SHOULD NOT BE USED WITHOUT WRITTEN PERMISSION.

13 12 11 10 9 8 7 6 5 4 3 2 1

13 12 11 10 9 8 7 6 70192 4 3 2 1



NOTES:
1 - SEE SHEET 1 FOR APPLICABLE NOTES.

**SINGAPORE ONLY
OPTION -F-
WITH POLARIZING KEY**

A SEE SHEET 1

SECTION E-E

MFG. SH.		REV.	LTR.	REVISIONS
= 0		= 0		REVISE ONLY ON CAD SYSTEM
DIMENSIONS SHOWN METRIC INCH				
UNLESS OTHERWISE SPECIFIED TOLERANCES ANGULAR 1/2°				
INCH		METRIC		
3 PLACE ±				
2 PLACE ±				
1 PLACE ±				
DRAFT WHERE APPLICABLE MUST REMAIN WITHIN DIMENSIONS				
DRWG. BY	PM	CHK'D. BY	PM	FILE NAME
APP'D. BY	PM	SCALE	:	SATD152X2
MOLEX INCORPORATED		THIS DRAWING CONTAINS INFORMATION THAT IS PROPRIETARY TO MOLEX INC. AND SHOULD NOT BE USED WITHOUT WRITTEN PERMISSION DA		
PART NO. 68532		DRWG. NO. SDA-70192-0000		
SEE CHART		SHEET NO. 2 DATE 07/17/90		

13 12 11 10 9 8 7 6 5 4 3 2 1

CKT SIZE		PLATING: TIN PACKAGING: PK-70873-0660		PLATING: 15 GOLD PACKAGING: PK-70873-0660		PLATING: 30 GOLD PACKAGING: PK-70873-0660		OPTION F ASSEMBLY TOOLED IN SINGAPORE ONLY (SEE SHEET 2 FOR GEOMETRY)		DIM."A"		DIM."B"	
PER ROW	TOTAL	EDP NO.	ENG NO.	EDP NO.	ENG NO.	EDP NO.	ENG NO.	EDP NO.	ENG NO.	INCH	MM	INCH	MM
02	04	15-45-1302	A-70192-0065	15-44-3202	A-70192-0129	15-44-4502	A-70192-0193			.100	2.54	.199	5.05
03	06	15-45-1303	A-70192-0066	15-44-3203	A-70192-0130	15-44-4503	A-70192-0194			.200	5.08	.299	7.59
04	08	15-45-1304	A-70192-0067	15-44-3204	A-70192-0131	15-44-4504	A-70192-0195			.300	7.62	.399	10.13
05	10	15-45-1305	A-70192-0068	15-44-3205	A-70192-0132	15-44-4505	A-70192-0196			.400	10.16	.499	12.67
06	12	15-45-1306	A-70192-0069	15-44-3206	A-70192-0133	15-44-4506	A-70192-0197			.500	12.70	.599	15.21
07	14	15-45-1307	A-70192-0070	15-44-3207	A-70192-0134	15-44-4507	A-70192-0198			.600	15.24	.699	17.75
08	16	15-45-1308	A-70192-0071	15-44-3208	A-70192-0135	15-44-4508	A-70192-0199			.700	17.78	.799	20.29
09	18	15-45-1309	A-70192-0072	15-44-3209	A-70192-0136	15-44-4509	A-70192-0200			.800	20.32	.899	22.83
10	20	15-45-1310	A-70192-0073	15-44-3210	A-70192-0137	15-44-4510	A-70192-0201			.900	22.86	.999	25.37
11	22	15-45-1311	A-70192-0074	15-44-3211	A-70192-0138	15-44-4511	A-70192-0202			1.000	25.40	1.099	27.91
12	24	15-45-1312	A-70192-0075	15-44-3212	A-70192-0139	15-44-4512	A-70192-0203			1.100	27.94	1.199	30.45
13	26	15-45-1313	A-70192-0076	15-44-3213	A-70192-0140	15-44-4513	A-70192-0204			1.200	30.48	1.299	32.99
14	28	15-45-1314	A-70192-0077	15-44-3214	A-70192-0141	15-44-4514	A-70192-0205			1.300	33.02	1.399	35.53
15	30	15-45-1315	A-70192-0078	15-44-3215	A-70192-0142	15-44-4515	A-70192-0206			1.400	35.56	1.499	38.07
16	32	15-45-1316	A-70192-0079	15-44-3216	A-70192-0143	15-44-4516	A-70192-0207			1.500	38.10	1.599	40.61
17	34	15-45-1317	A-70192-0080	15-44-3217	A-70192-0144	15-44-4517	A-70192-0208			1.600	40.64	1.699	43.15
18	36	15-45-1318	A-70192-0081	15-44-3218	A-70192-0145	15-44-4518	A-70192-0209			1.700	43.18	1.799	45.69
19	38	15-45-1319	A-70192-0082	15-44-3219	A-70192-0146	15-44-4519	A-70192-0210			1.800	45.72	1.899	48.23
20	40	15-45-1320	A-70192-0083	15-44-3220	A-70192-0147	15-44-4520	A-70192-0211			1.900	48.26	1.999	50.77
21	42	15-45-1321	A-70192-0084	15-44-3221	A-70192-0148	15-44-4521	A-70192-0212			2.000	50.80	2.099	53.31
22	44	15-45-1322	A-70192-0085	15-44-3222	A-70192-0149	15-44-4522	A-70192-0213			2.100	53.34	2.199	55.85
23	46	15-45-1323	A-70192-0086	15-44-3223	A-70192-0150	15-44-4523	A-70192-0214			2.200	55.88	2.299	58.39
24	48	15-45-1324	A-70192-0087	15-44-3224	A-70192-0151	15-44-4524	A-70192-0215			2.300	58.42	2.399	60.93
25	50	15-45-1325	A-70192-0088	15-44-3225	A-70192-0152	15-44-4525	A-70192-0216	15-44-6625	A-70192-0280	2.400	60.96	2.499	63.47
26	52	15-45-1326	A-70192-0089	15-44-3226	A-70192-0153	15-44-4526	A-70192-0217			2.500	63.50	2.599	66.01
27	54	15-45-1327	A-70192-0090	15-44-3227	A-70192-0154	15-44-4527	A-70192-0218			2.600	66.04	2.699	68.55
28	56	15-45-1328	A-70192-0091	15-44-3228	A-70192-0155	15-44-4528	A-70192-0219			2.700	68.58	2.799	71.09
29	58	15-45-1329	A-70192-0092	15-44-3229	A-70192-0156	15-44-4529	A-70192-0220			2.800	71.12	2.899	73.63
30	60	15-45-1330	A-70192-0093	15-44-3230	A-70192-0157	15-44-4530	A-70192-0221			2.900	73.66	2.999	76.17
31	62	15-45-1331	A-70192-0094	15-44-3231	A-70192-0158	15-44-4531	A-70192-0222			3.000	76.20	3.099	78.71
32	64	15-45-1332	A-70192-0095	15-44-3232	A-70192-0159	15-44-4532	A-70192-0223			3.100	78.74	3.199	81.25
33	66	15-45-1333	A-70192-0096	15-44-3233	A-70192-0160	15-44-4533	A-70192-0224			3.200	81.28	3.299	83.79
34	68	15-45-1334	A-70192-0097	15-44-3234	A-70192-0161	15-44-4534	A-70192-0225			3.300	83.82	3.399	86.33
35	70	15-45-1335	A-70192-0098	15-44-3235	A-70192-0162	15-44-4535	A-70192-0226			3.400	86.36	3.499	88.87
36	72	15-45-1336	A-70192-0099	15-44-3236	A-70192-0163	15-44-4536	A-70192-0227			3.500	88.90	3.599	91.41
37	74	15-45-1337	A-70192-0100	15-44-3237	A-70192-TIN	15-44-4537	A-70192-0228			3.600	91.44	3.699	93.95
38	76	15-45-1338	A-70192-0101	15-44-3238	A-70192-0165	15-44-4538	A-70192-0229			3.700	93.98	3.799	96.49
39	78	15-45-1339	A-70192-0102	15-44-3239	A-70192-0166	15-44-4539	A-70192-0230			3.800	96.52	3.899	99.03
40	80	15-45-1340	A-70192-0103	15-44-3240	A-70192-0167	15-44-4540	A-70192-0231			3.900	99.06	3.999	101.57

*THE PRIMARY SHIPPING CARTON WILL BE LABELED "COMPLIANT TO RoHS DIRECTIVE 2002/95/EC AND ELV ANNEX II OF DIRECTIVE 2000/53/EC". CARTONS WITHOUT THIS LABEL MAY CONTAIN PRODUCT WITH LEAD.

PLATING:

TIN	(3.75 MICROMETER)/150 MICROINCH MINIMUM TIN OVER	
	(1.25 MICROMETER)/50 MICROINCH MINIMUM NICKEL OVERALL.	
15 GOLD	(0.37 MICROMETER)/15 MICROINCH MINIMUM SELECTIVE GOLD IN THE CONTACT AREA;	
	(1.88 MICROMETER)/75 MICROINCH MINIMUM SELECTIVE TIN IN THE PC TAIL AREA OVER	
	(1.25 MICROMETER)/50 MICROINCH MINIMUM NICKEL OVERALL.	
30 GOLD	(0.75 MICROMETER)/30 MICROINCH MINIMUM SELECTIVE GOLD IN THE CONTACT AREA;	
	(1.88 MICROMETER)/75 MICROINCH MINIMUM SELECTIVE TIN IN THE PC TAIL AREA OVER	
	(1.25 MICROMETER)/50 MICROINCH MINIMUM NICKEL OVERALL.	

DIMENSIONS SHOWN METRIC INCH		REVISIONS		REVISIONS		REVISIONS		REVISIONS		REVISIONS		REVISIONS		REVISIONS	
UNLESS OTHERWISE SPECIFIED TOLERANCES: ANGULAR ± 1/2°		C SEE SHEET 1		B SEE SHEET 1		A SEE SHEET 1		LTR.		LTR.		LTR.		LTR.	
DRAFT WHERE APPLICABLE MUST REMAIN WITHIN DIMENSIONS		APP'D BY: MCB		SCALE: 10:1		DATE: 07/17/90		FILE NAME: SDA70192X3.DWG		NO DIMENSIONS INFORMATION THAT IS PROPRIETARY TO MOLEX INC. AND SHOULD NOT BE USED WITHOUT WRITTEN PERMISSION		DA		C	
TITLE: VERTICAL MOUNT ASSY DUAL ROW TOP ENTRY .100 X .100 P.C. TAIL GRID		PART NO. SDA-70192-****		DRAWN BY: MCB		CHECKED BY: MCB		DATE: 07/17/90		SHEET NO. 3		TOTAL SHEETS 3		MOLEX INCORPORATED U.S.A.	