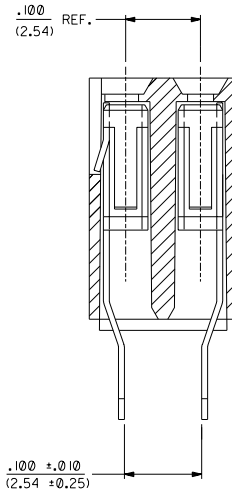
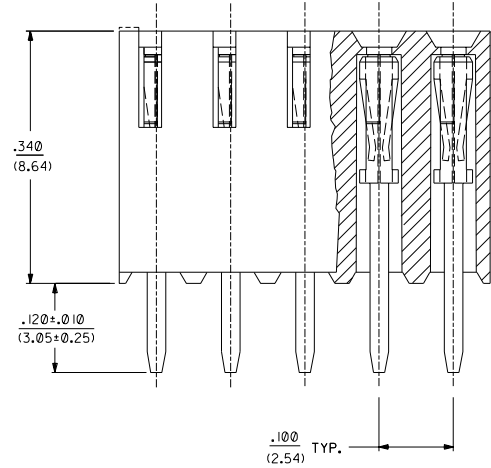
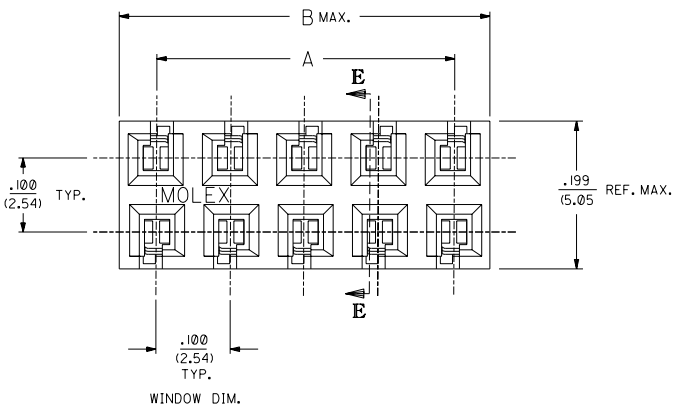
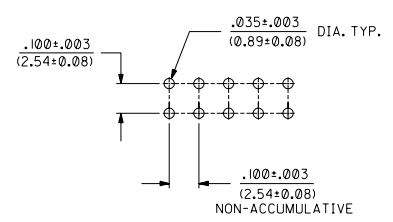


13 12 11 10 9 8 7 6 70192 4 3 2 1



- NOTES:
- 1 - HOUSING MATERIAL: GLASS FILLED POLYESTER, UL 94V-0. COLOR: BLACK
 - 2 - TERMINAL MATERIAL: PHOSPHOR BRONZE
 - 3 - SEE ADDITIONAL SHEETS FOR CHARTS, PLATINGS, AND OVERALL DIMENSIONS
 - 4 - THIS PRODUCT CONFORMS TO PS-70181.



RECOMMENDED P.C. BOARD HOLE LAYOUT
SCALE = 4:1

SECTION E-E

C	LEAD FREE IPC2004-1770 RWHITE 04/04/28	
B	CHANGE PACK SPEC ECN# UD2000-0503 DMORGAN 09/12/93	
A	REVISE PLATE & BOX PER US 0572 09/10/93 MURPHY	
3	C	
2	A	
1	C	
MFG. SH.	REV. LTR.	REVISIONS

MOLEX INCORPORATED

CONNECTOR VERT MOUNT DUAL ROW (TOP ENTRY) .100 X .10 P.C. TAIL GRID

SEE CHART SDA-70192

DATE: 09/10/93

SHEET NO. 1 OF 3

DRG. NO. 69532

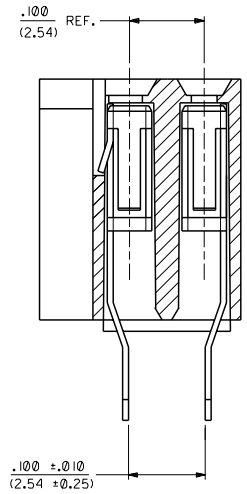
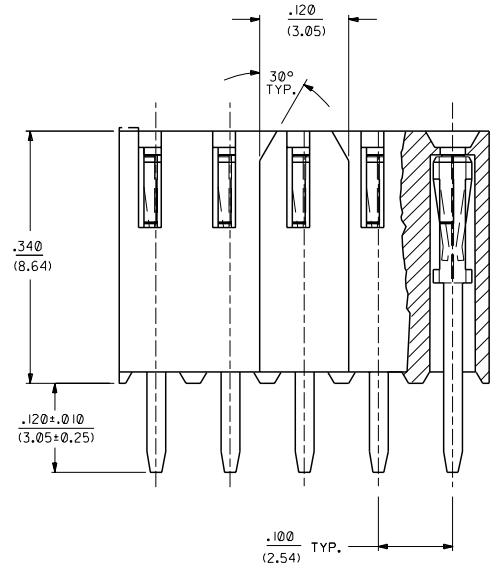
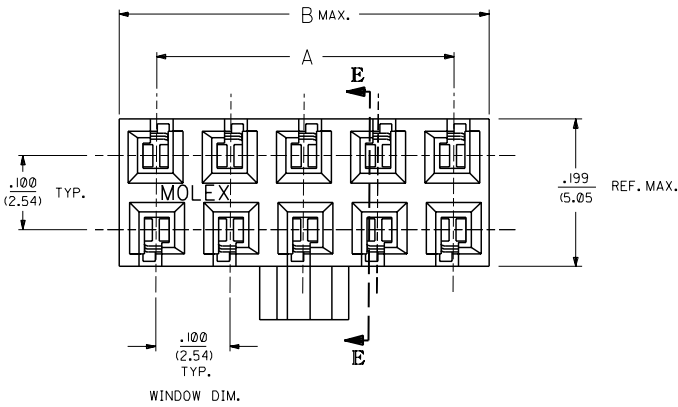
FILE NAME: SAT0192X1.DWG

APP'D. BY: PM SCALE: 10:1

NO DRAWING CONTAINS INFORMATION THAT IS PROPRIETARY TO MOLEX INC. AND SHOULD NOT BE USED WITHOUT WRITTEN PERMISSION.

13 12 11 10 9 8 7 6 5 4 3 2 1

13 12 11 10 9 8 7 6 70192 4 3 2 1



NOTES:
1 - SEE SHEET 1 FOR APPLICABLE NOTES.

**SINGAPORE ONLY
OPTION -F-
WITH POLARIZING KEY**

A SEE SHEET 1

SECTION E-E

MFG. SH.		REV.	LTR.	REVISIONS
▽ = 0		▽ = 0	REVISE ONLY ON CAD SYSTEM	
DIMENSIONS SHOWN METRIC INCH				
UNLESS OTHERWISE SPECIFIED TOLERANCES ANGULAR 1/2°				
INCH		METRIC		
3 PLACE ±				
2 PLACE ±				
1 PLACE ±				
DRAFT WHERE APPLICABLE MUST REMAIN WITHIN DIMENSIONS				
DRWG. BY	PM	CHK'D. BY	PM	FILE NAME
APP'D. BY	PM	SCALE	:	SATD152X2 DCH
MOLEX INCORPORATED		SHEET NO. 2 DATE 07/17/90		
SEE CHART		SDA-70192-****		
THIS DRAWING CONTAINS INFORMATION THAT IS PROPRIETARY TO MOLEX INC. AND SHOULD NOT BE USED WITHOUT WRITTEN PERMISSION DA				

13 12 11 10 9 8 7 6 5 4 3 2 1

